

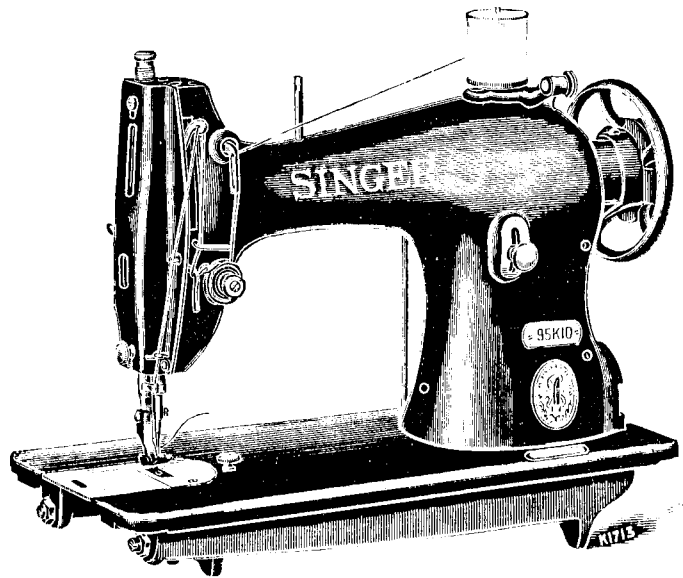
SINGER
95K10,K11

Form K3600 Rev.
(Sup. K2227)
May, 1933

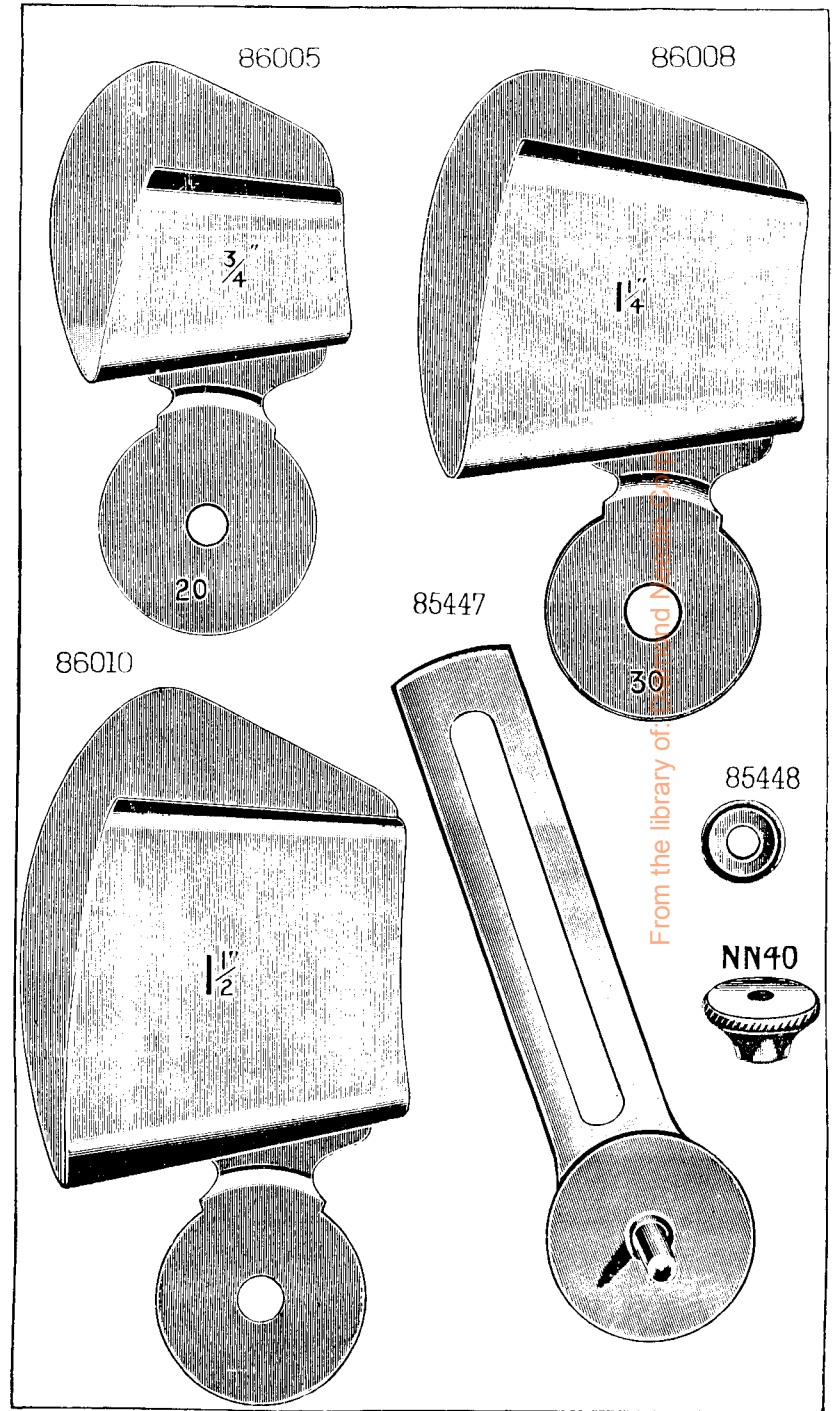
Illustrated List of Parts

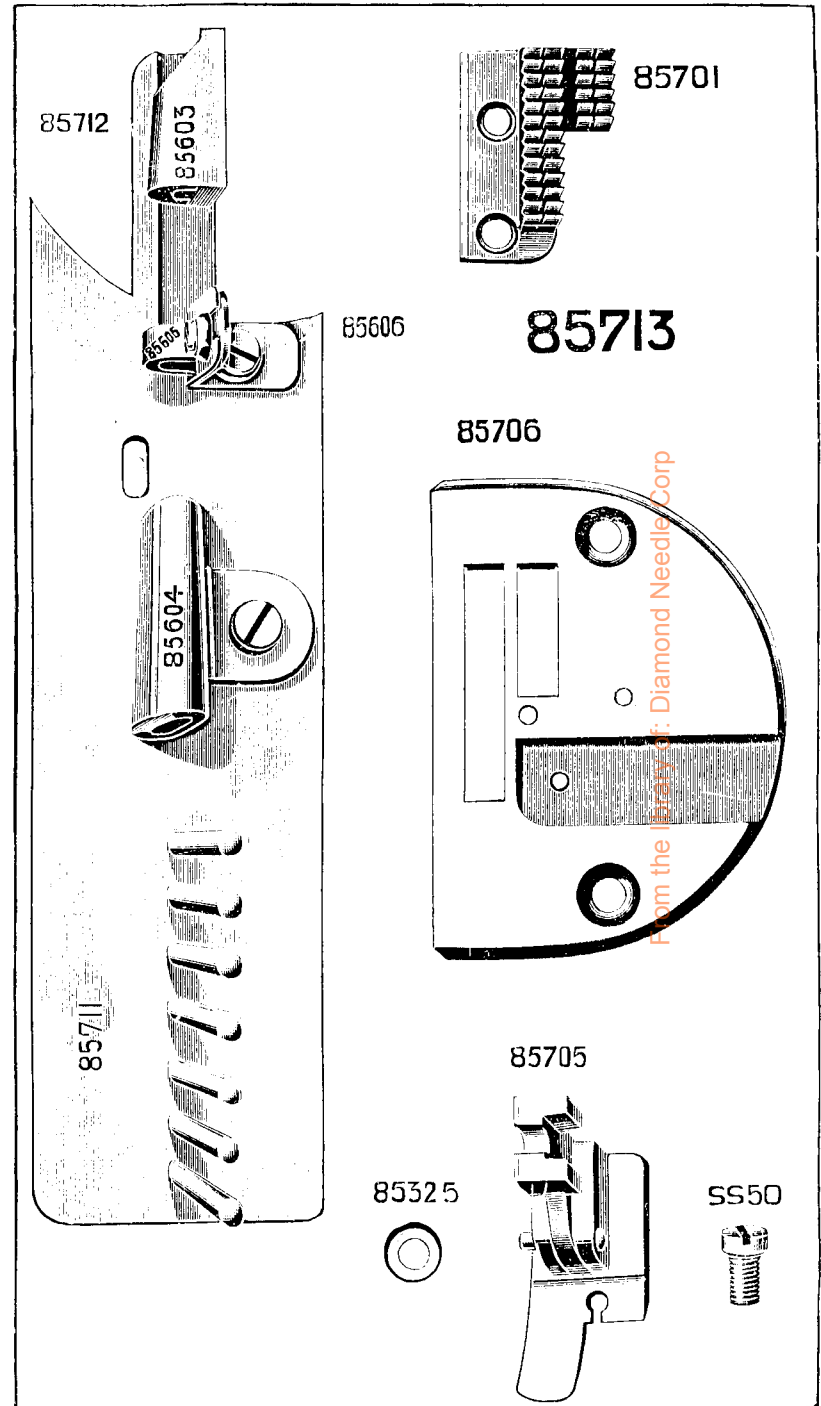
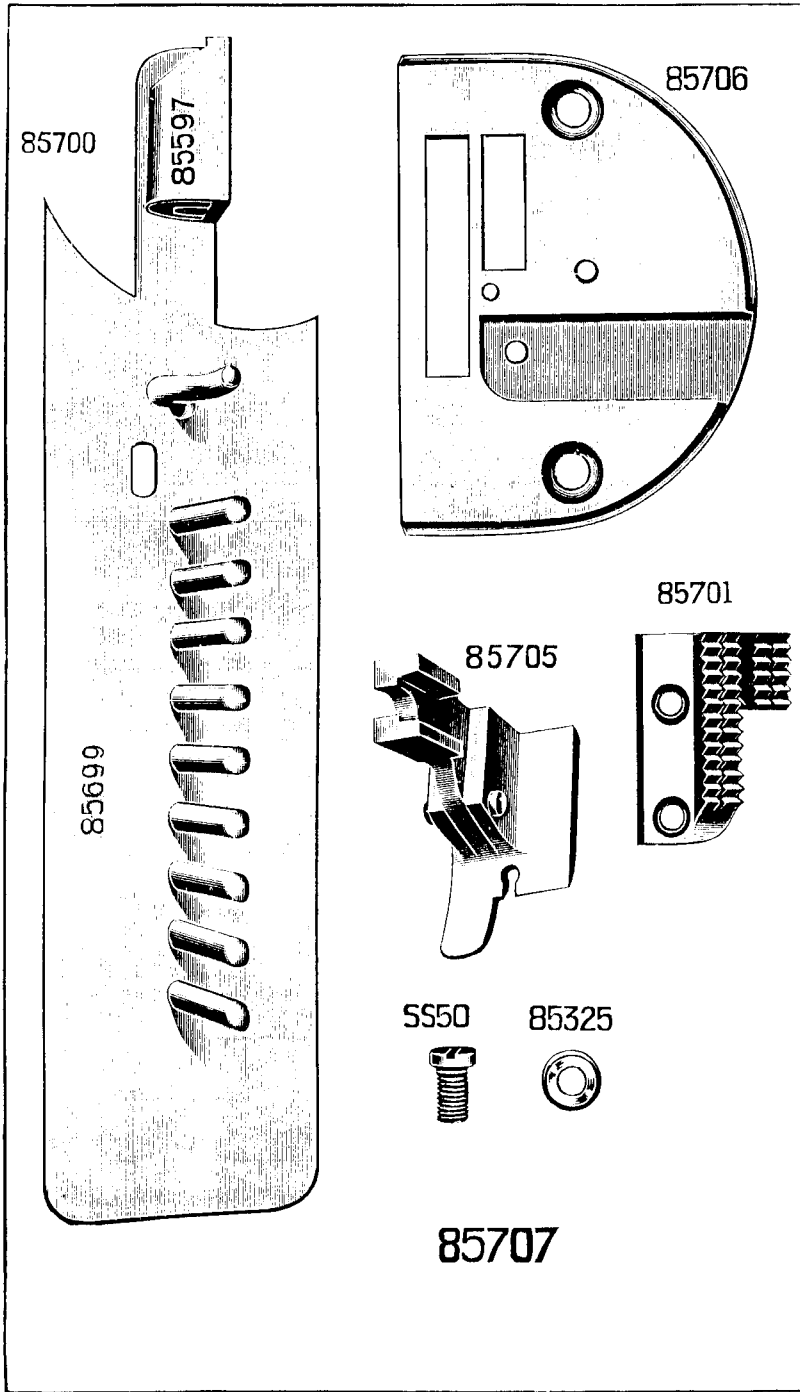
FOR

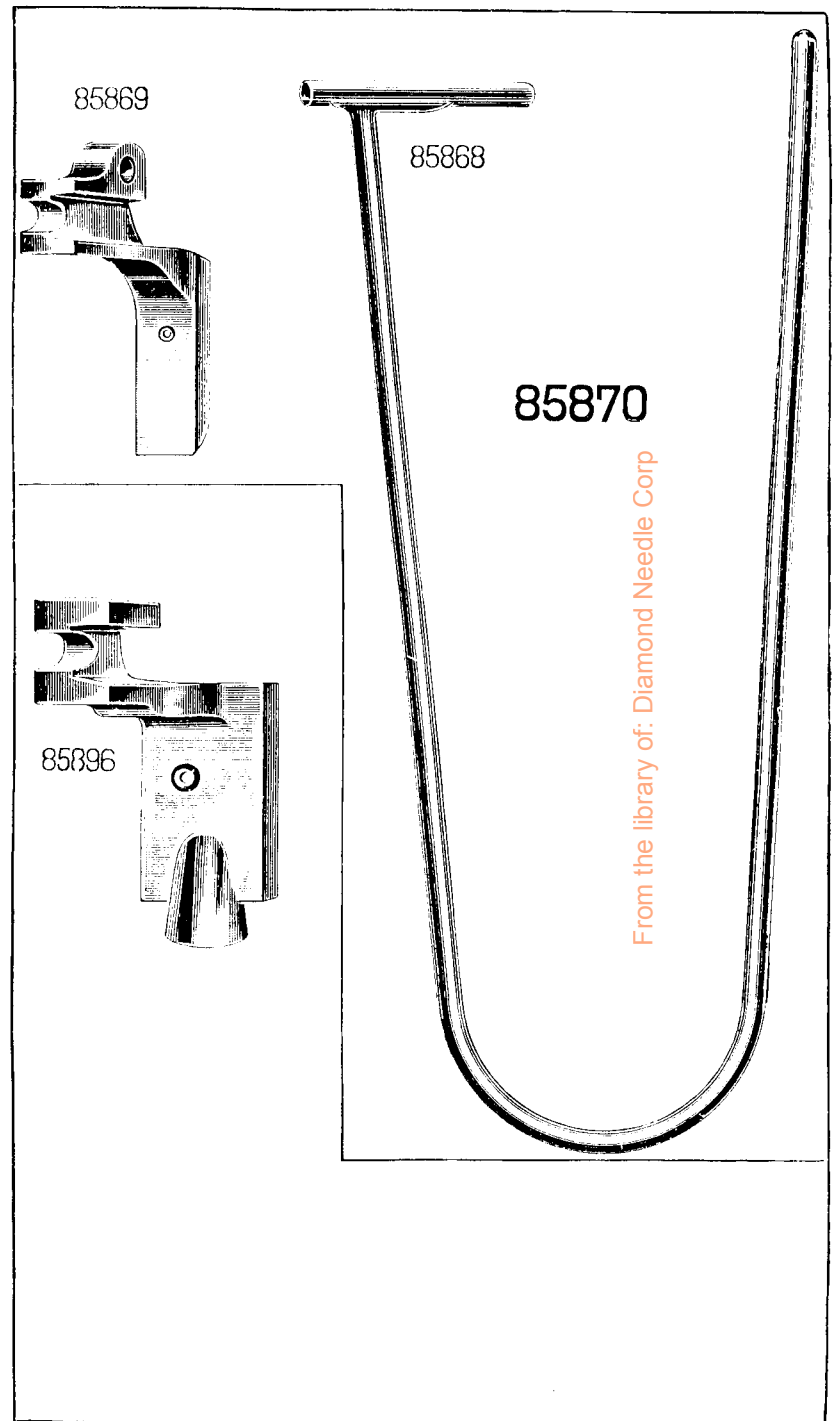
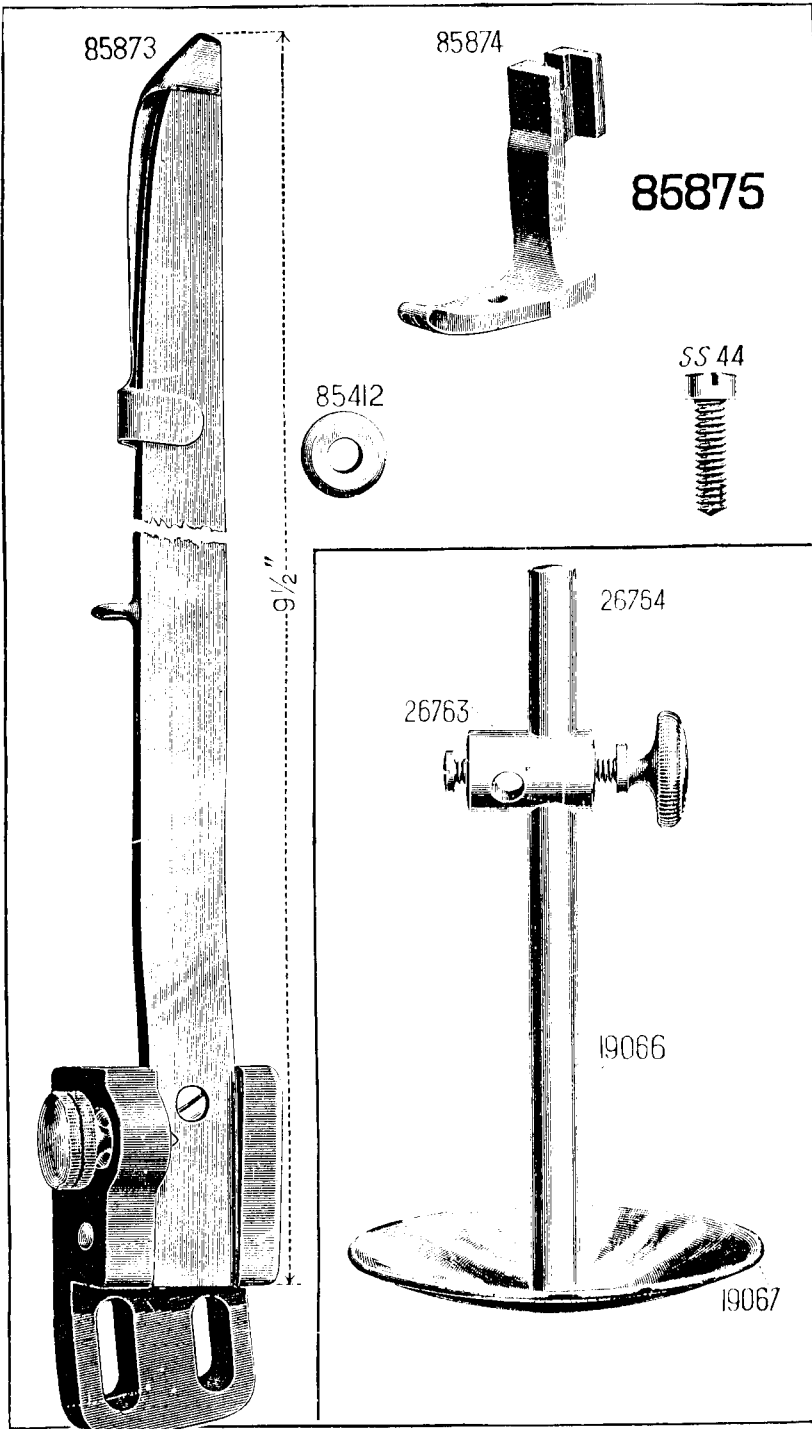
Nos. 95K10 and 95K11
Machines



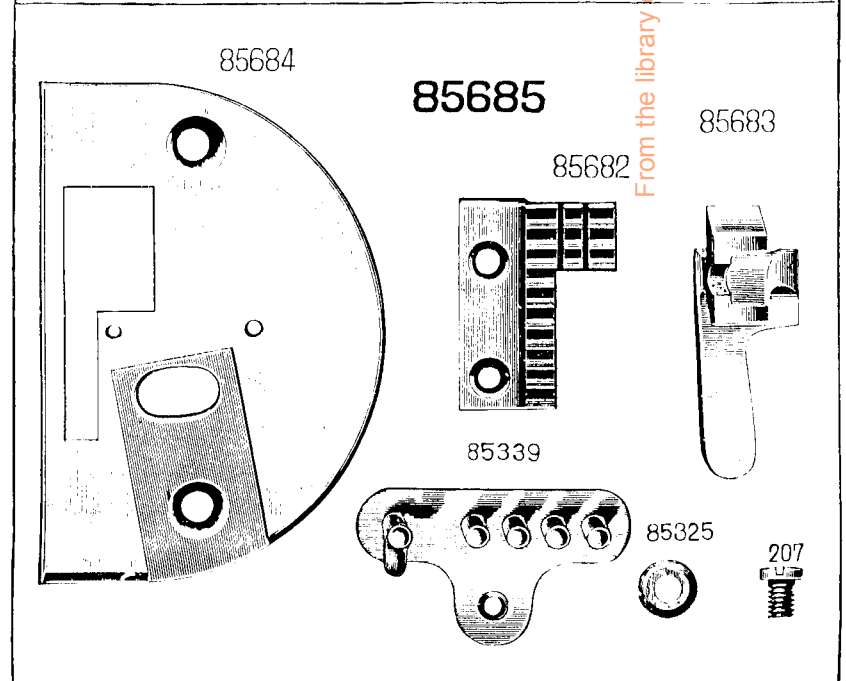
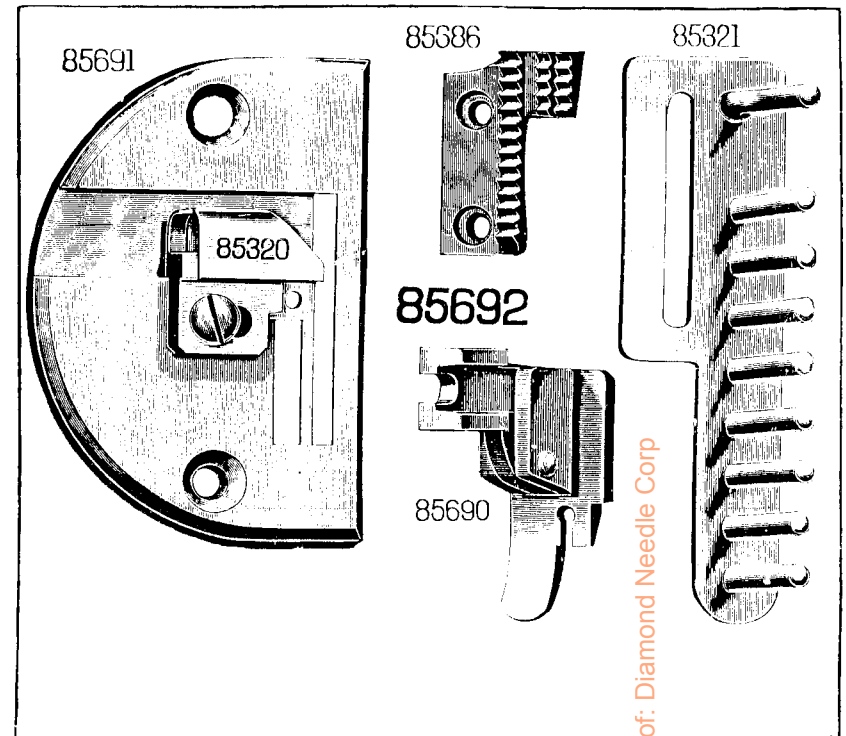
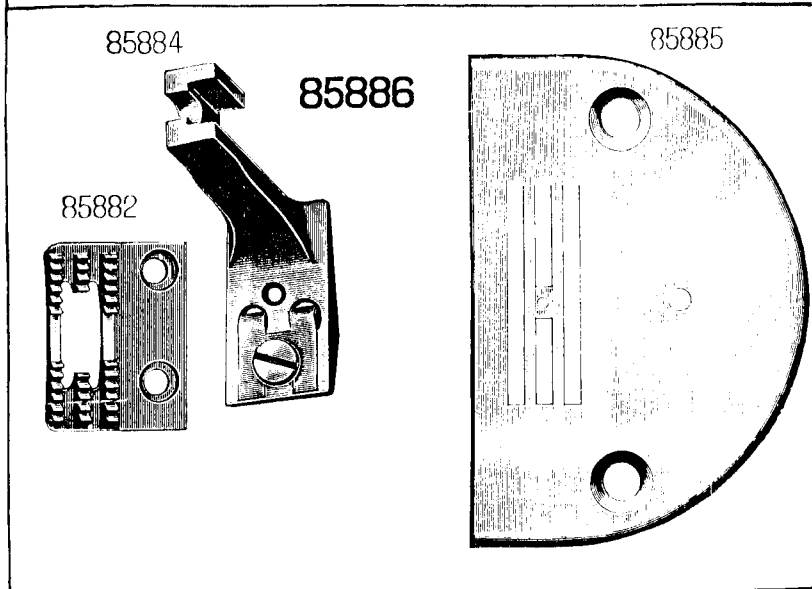
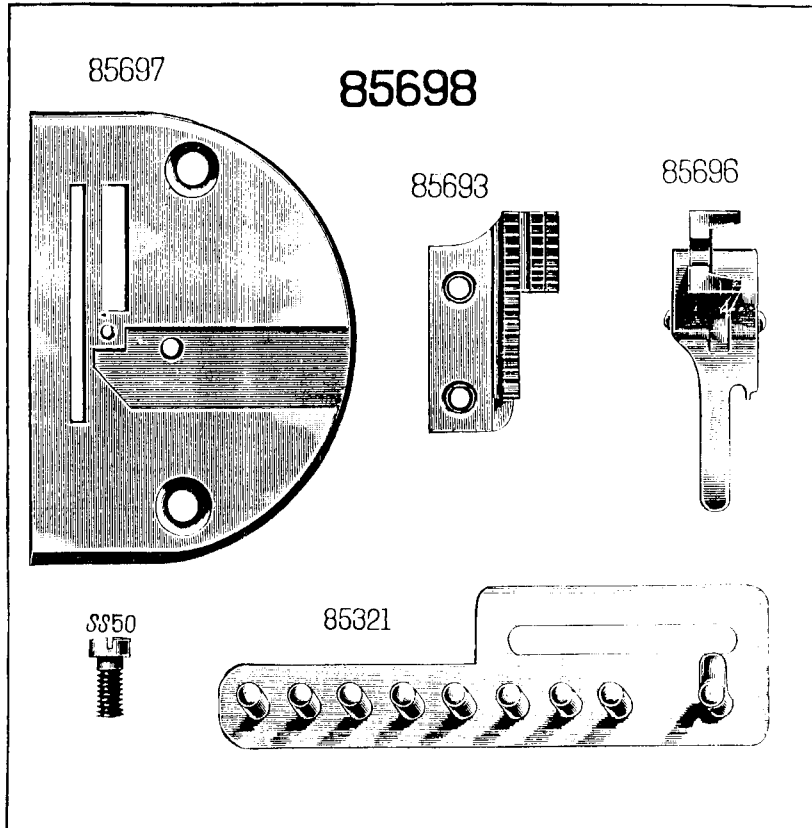
The Singer Manufacturing Company



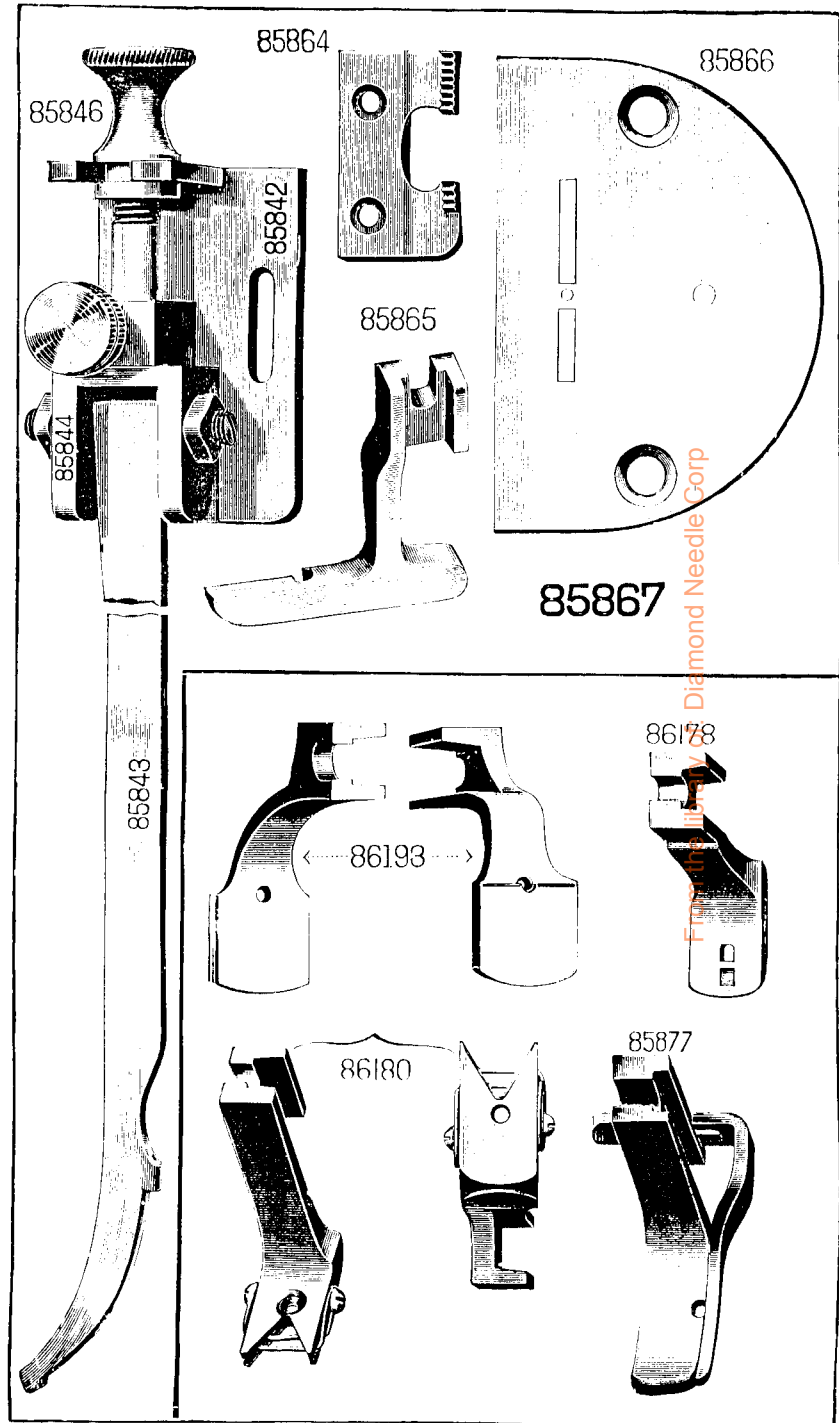
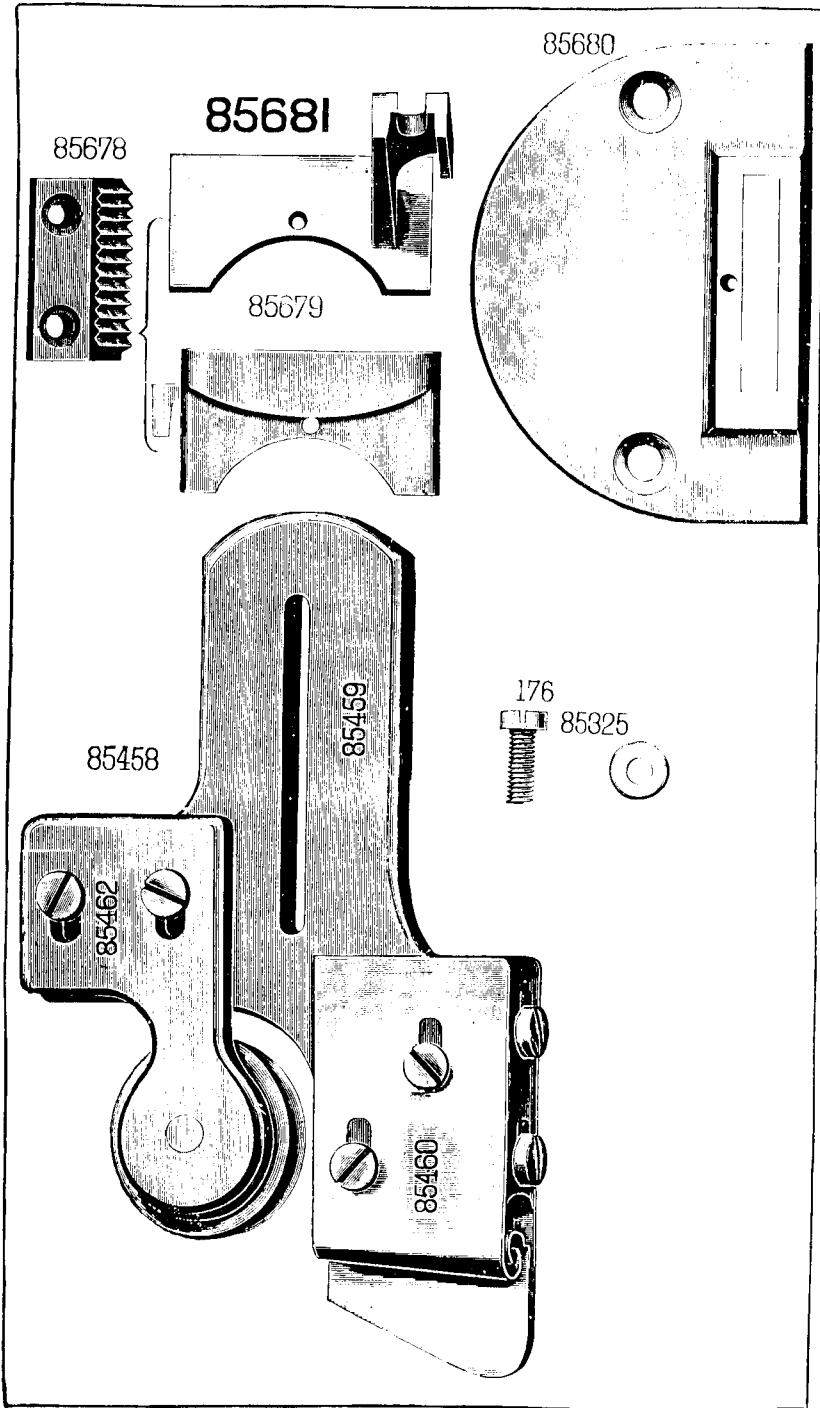




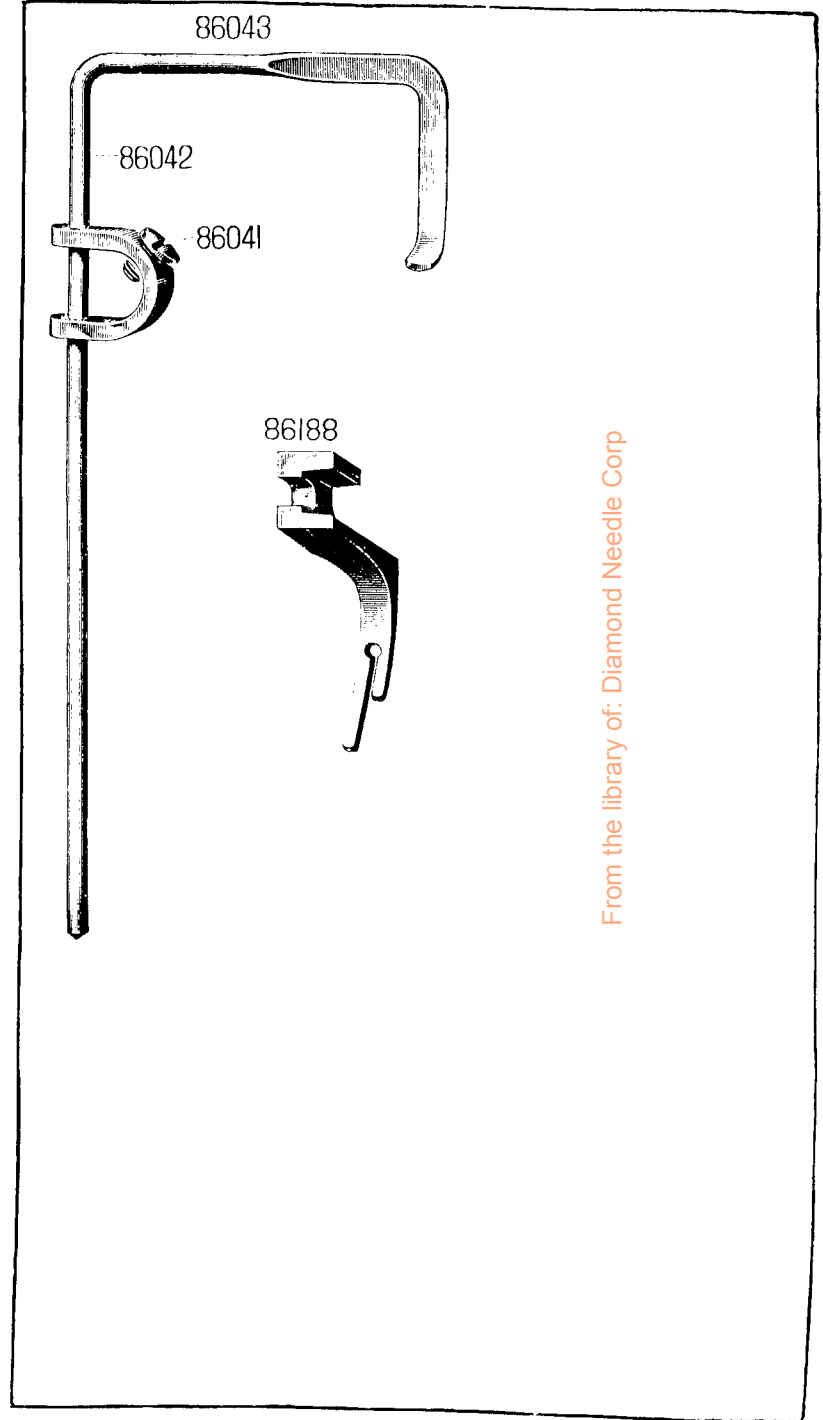
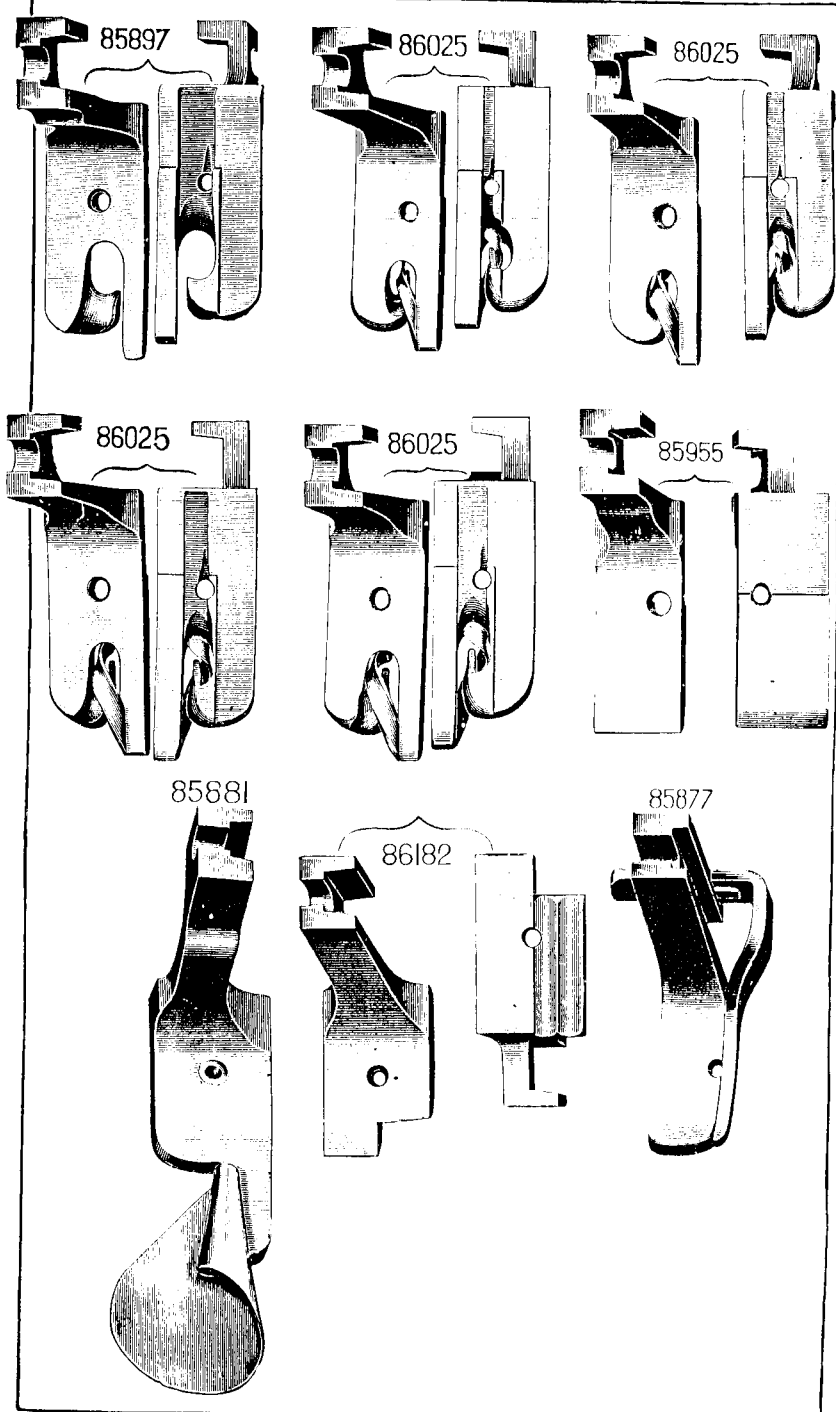
From the library of: Diamond Needle Corp



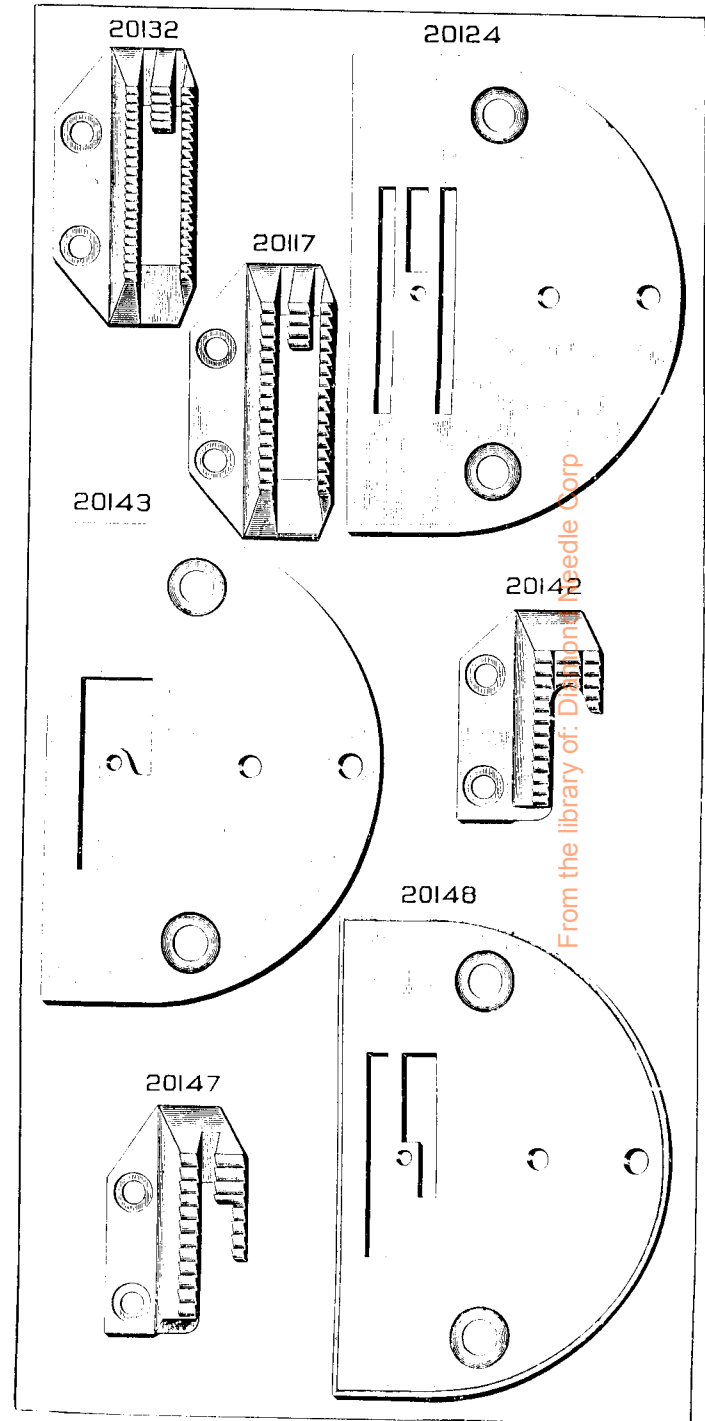
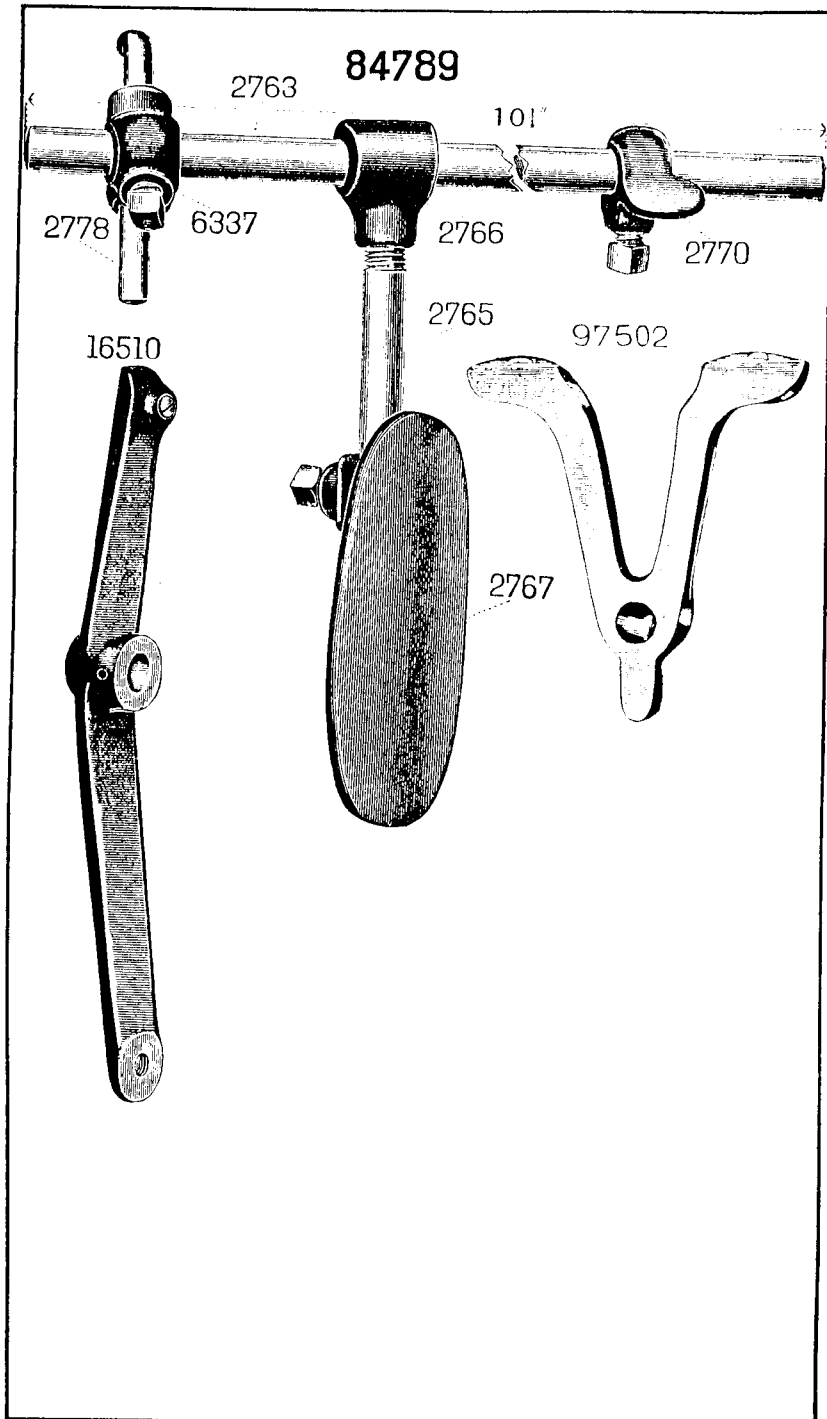
From the library of: Diamond Needle Corp

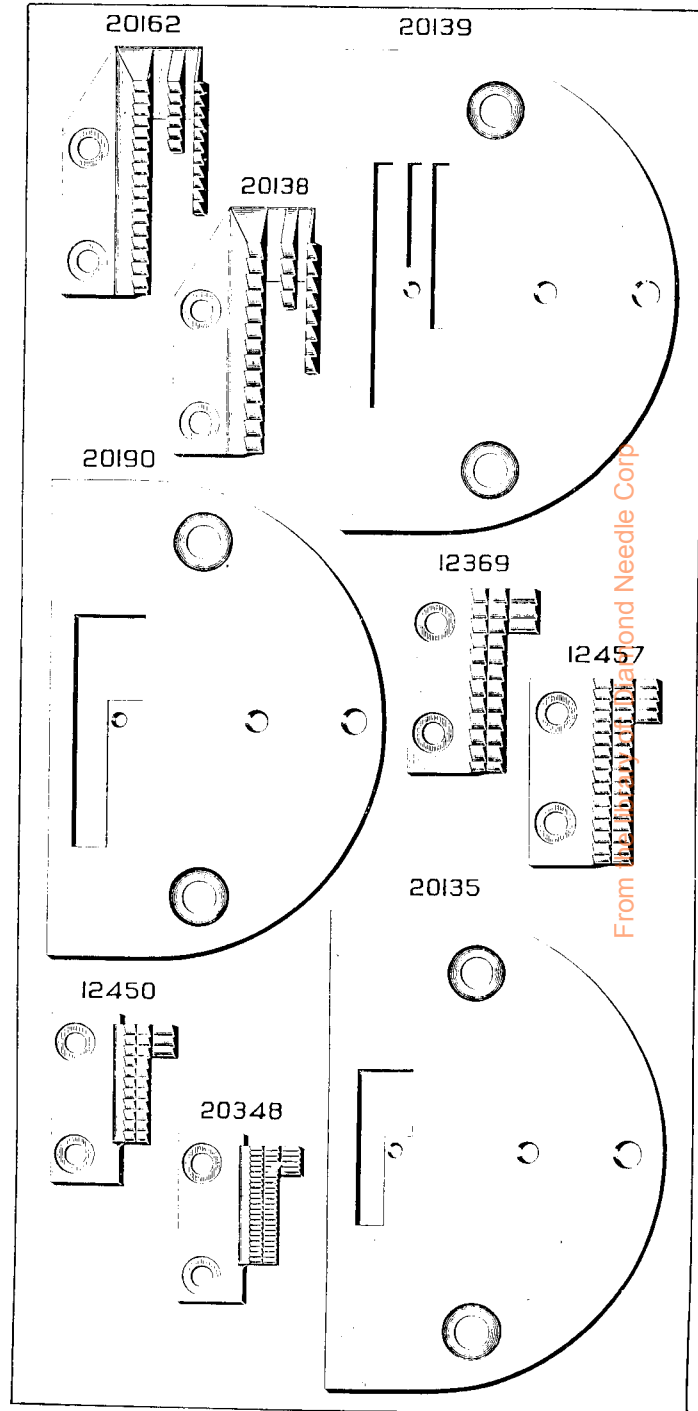
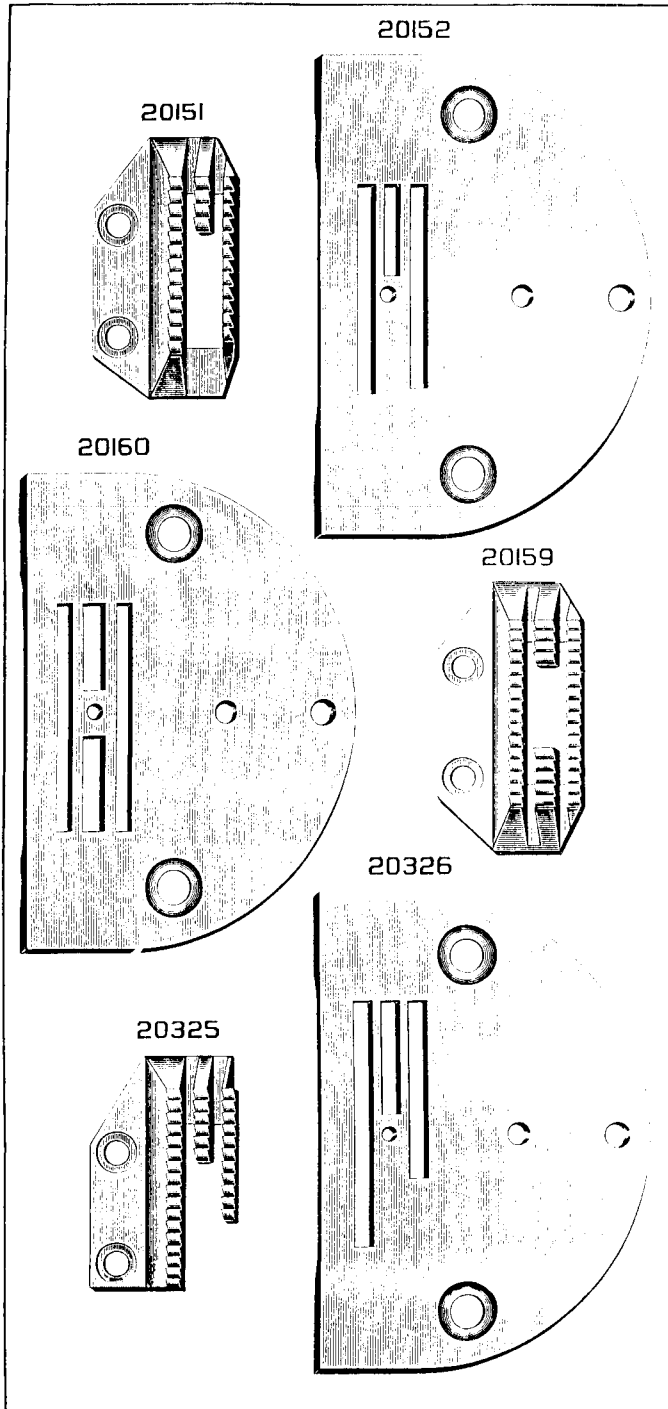


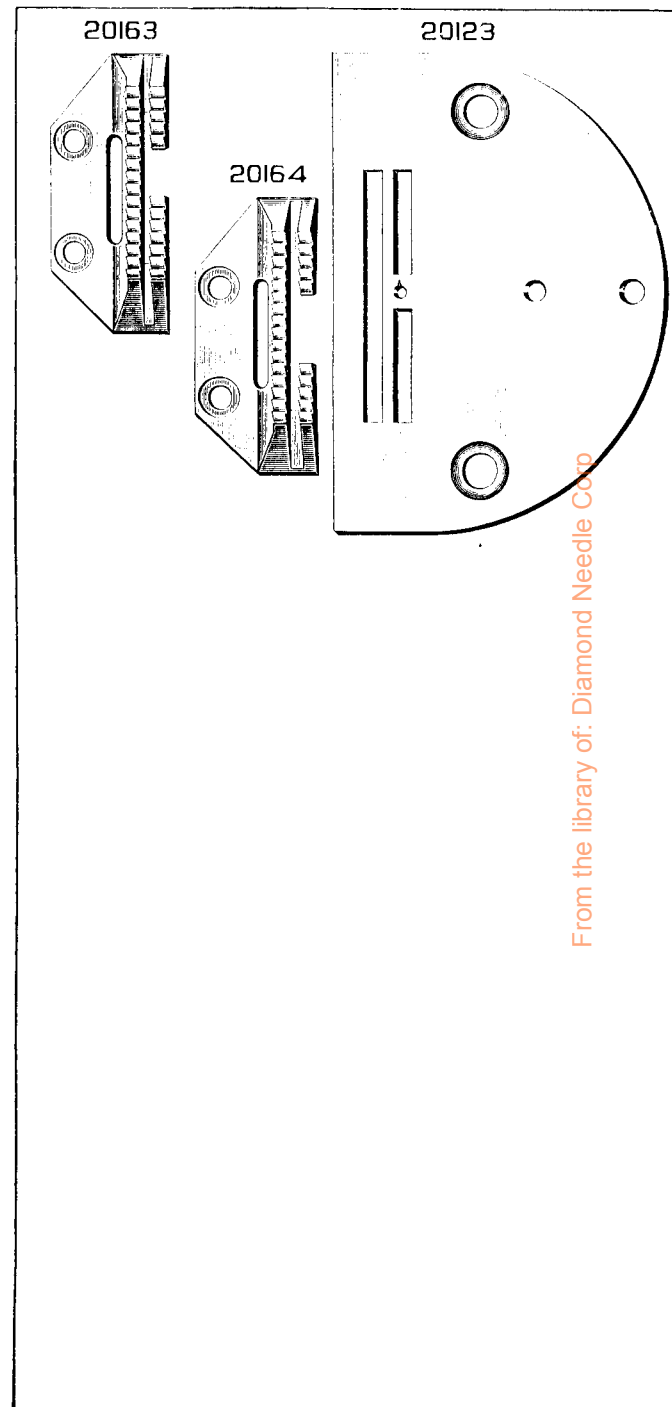
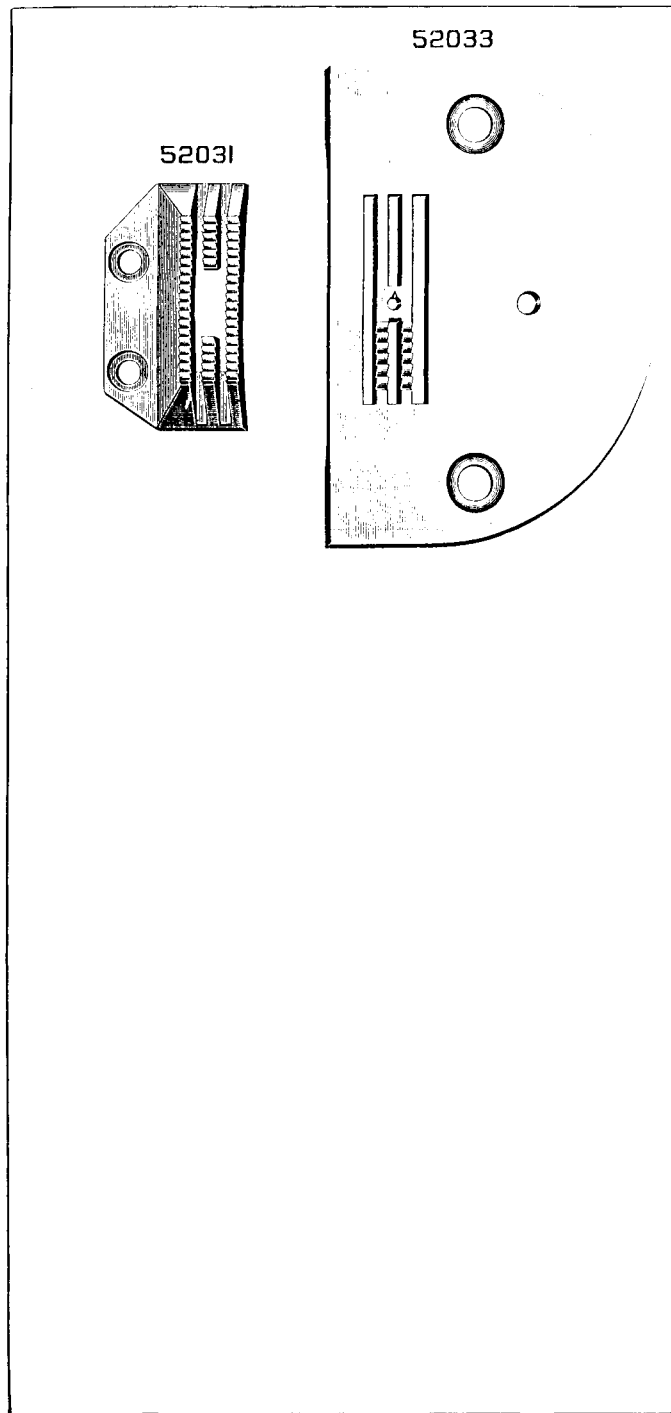
From the Library of Diamond Needle Corp



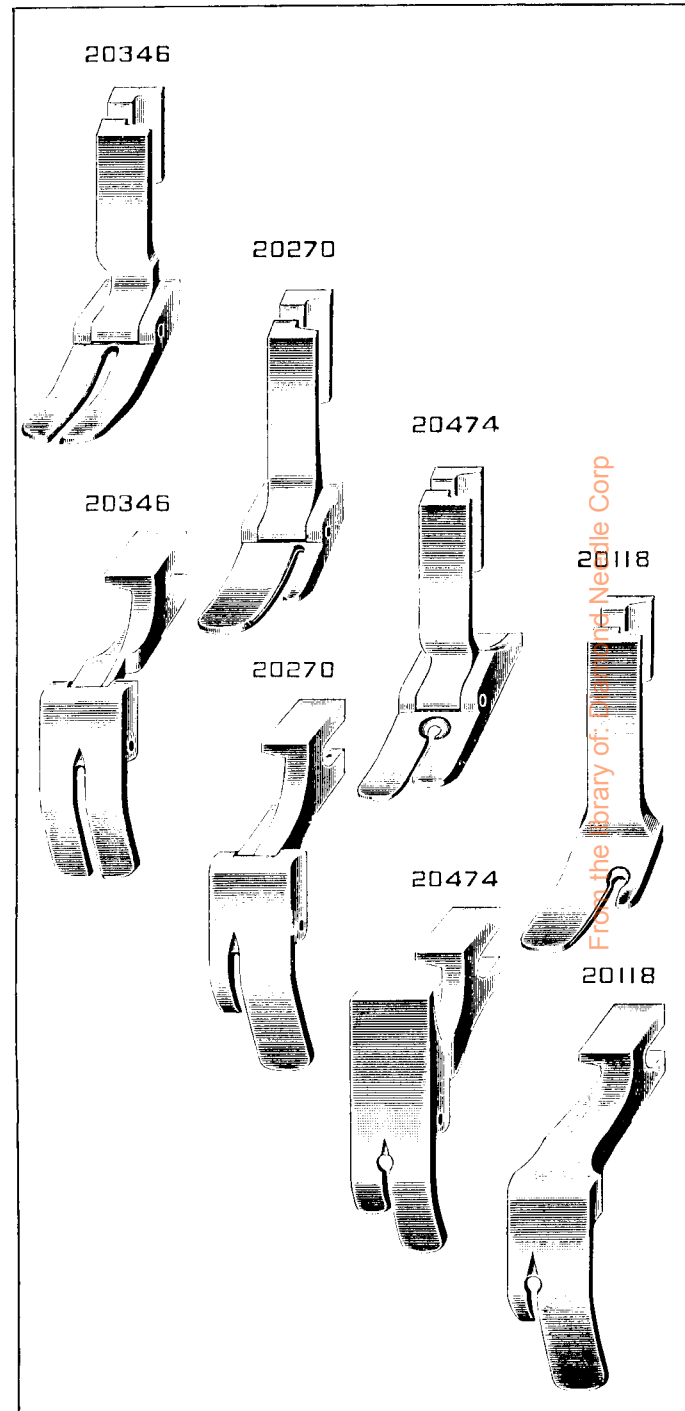
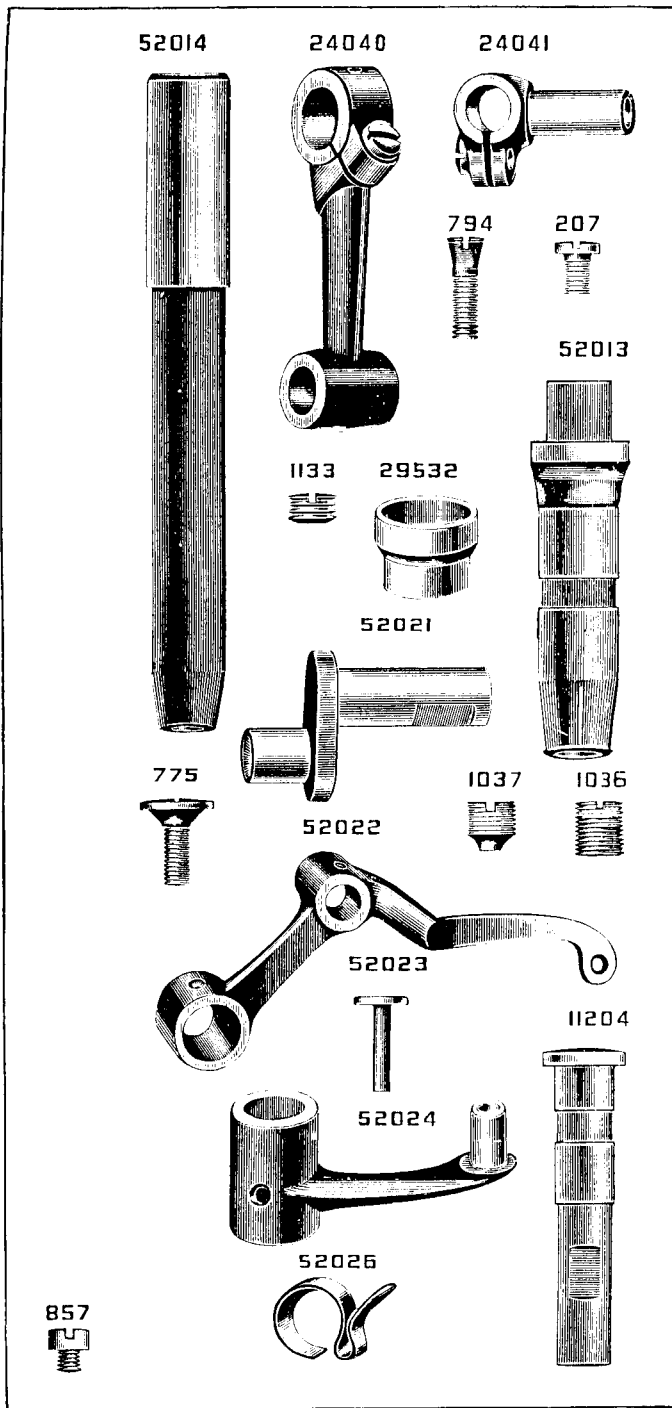
From the library of: Diamond Needle Corp

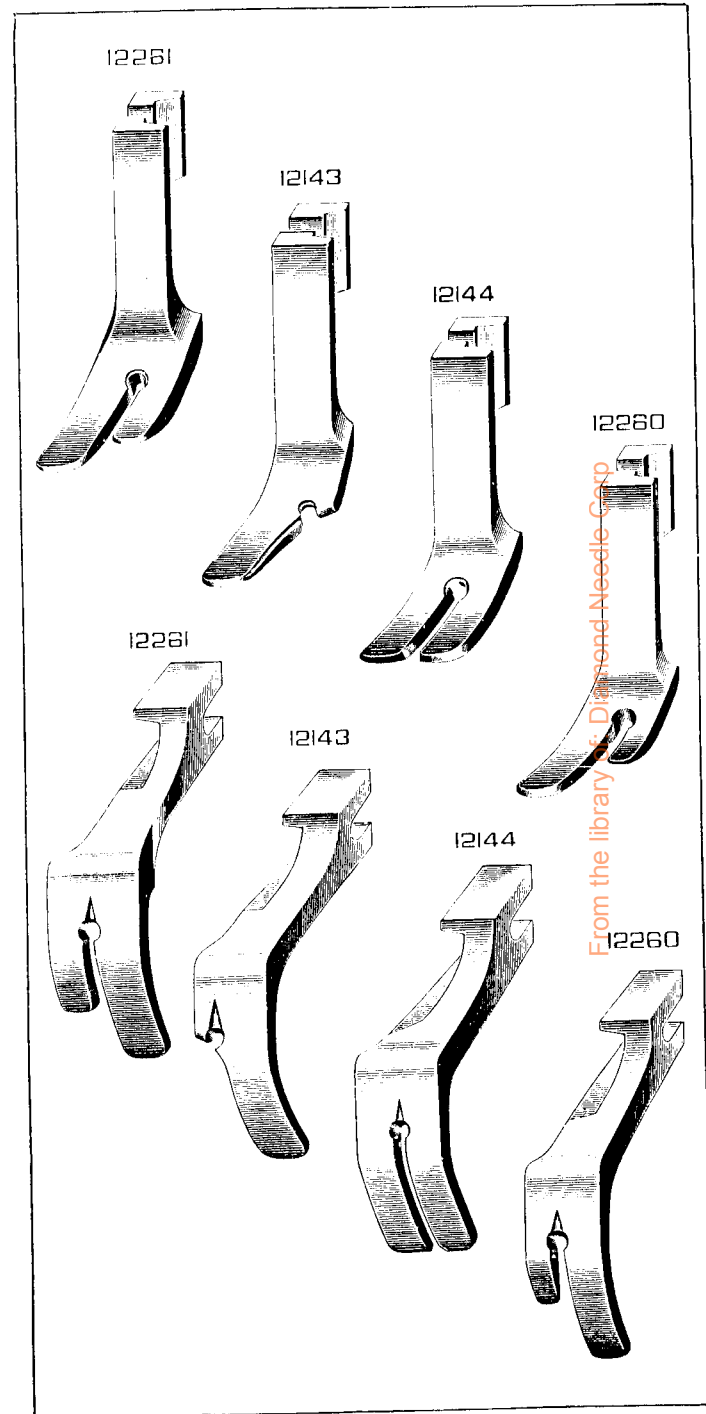
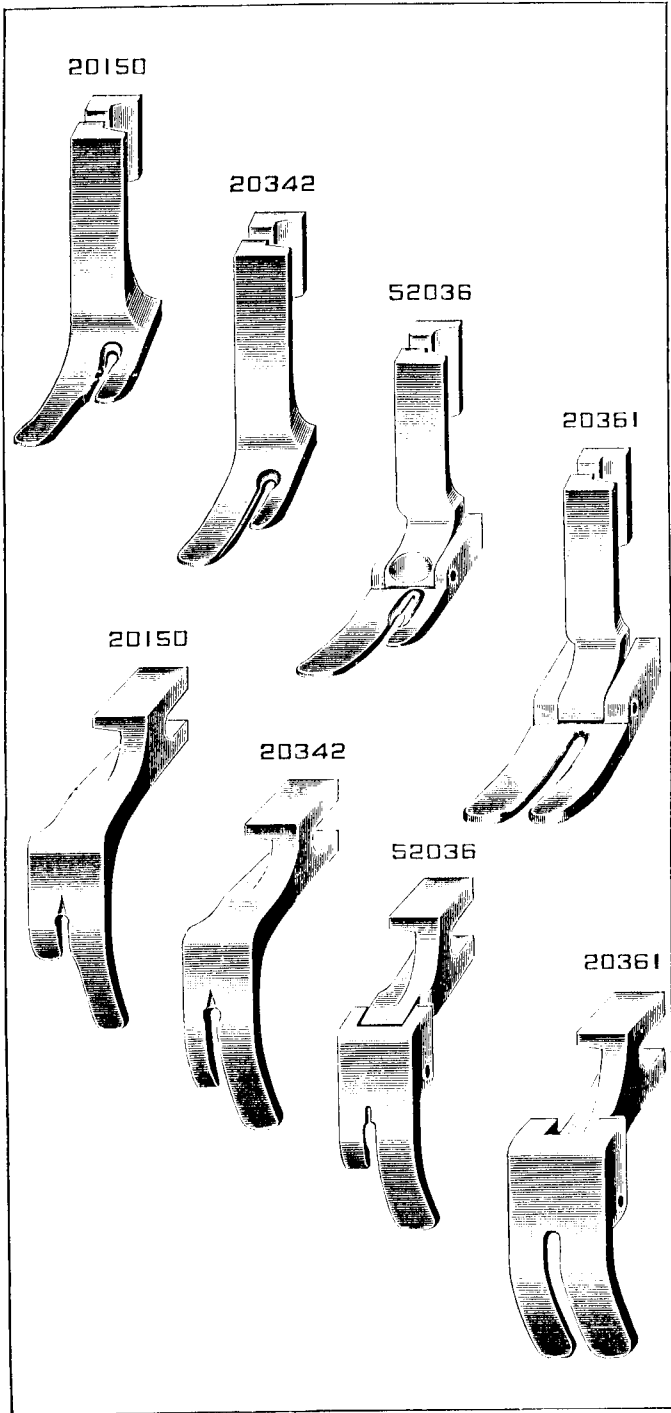


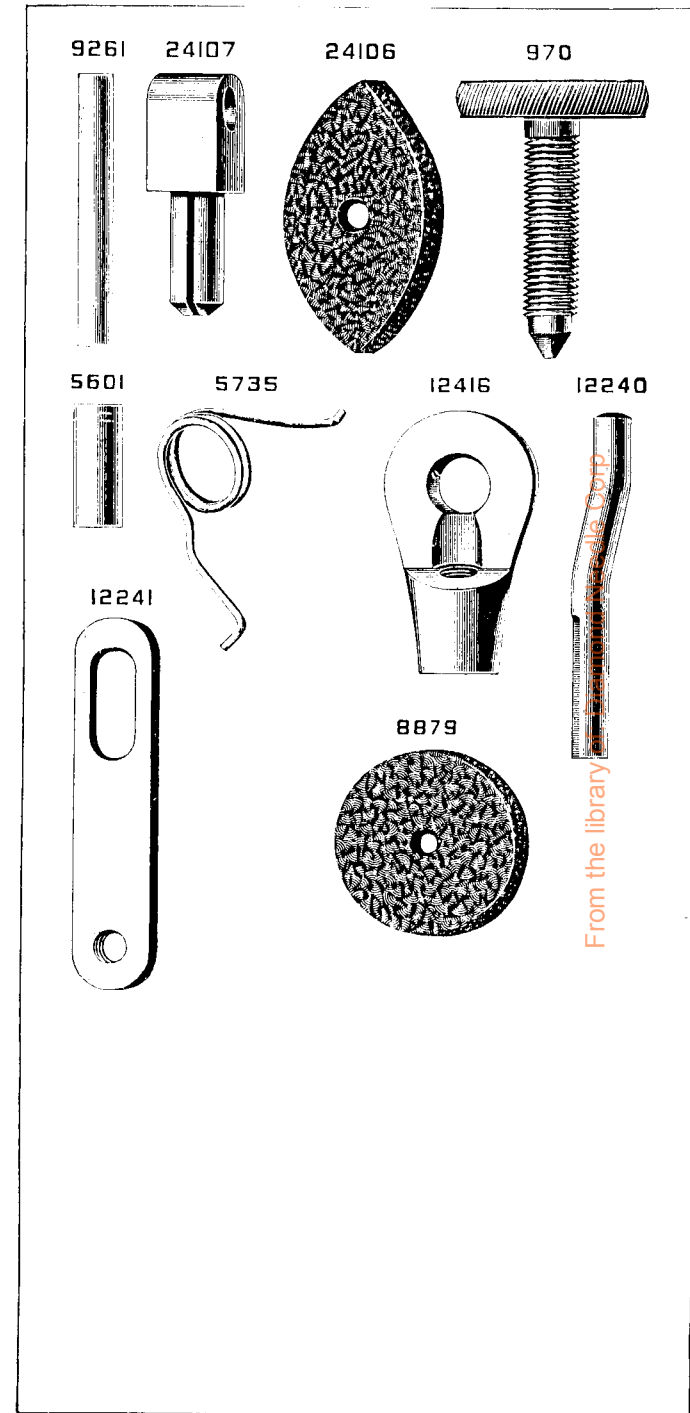
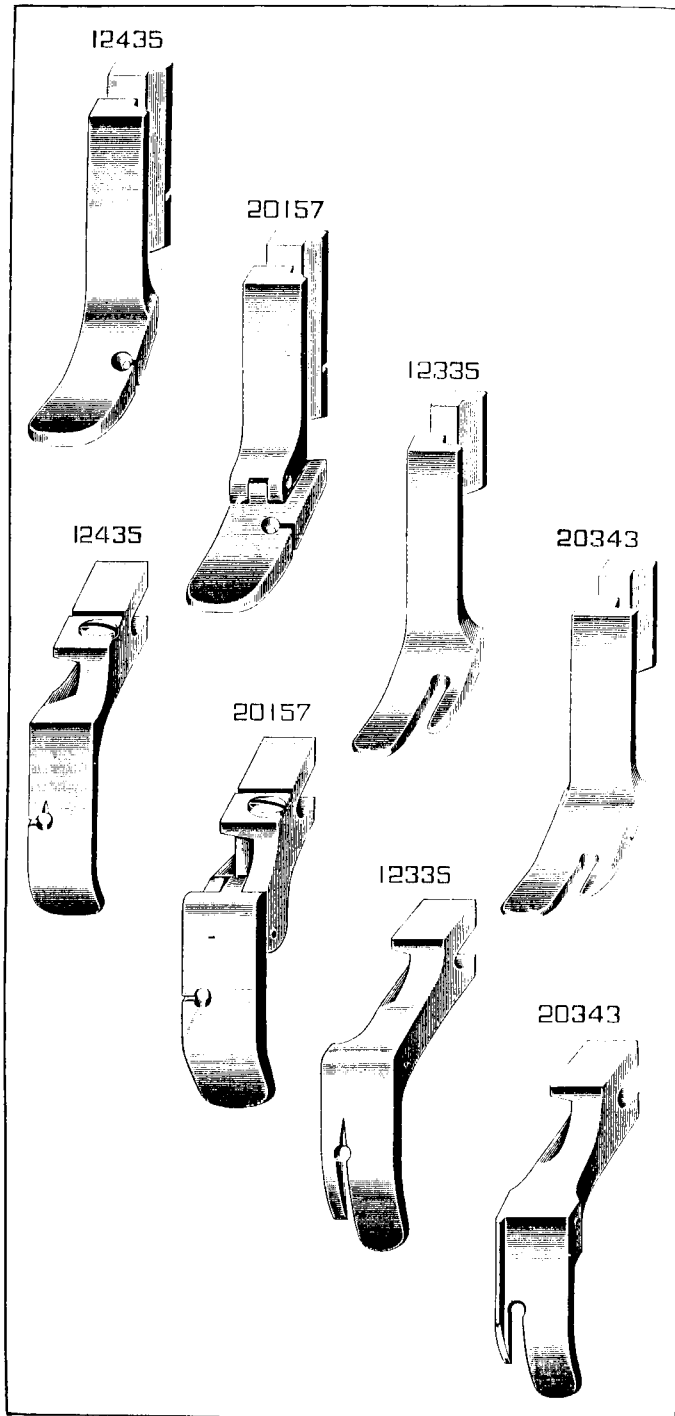




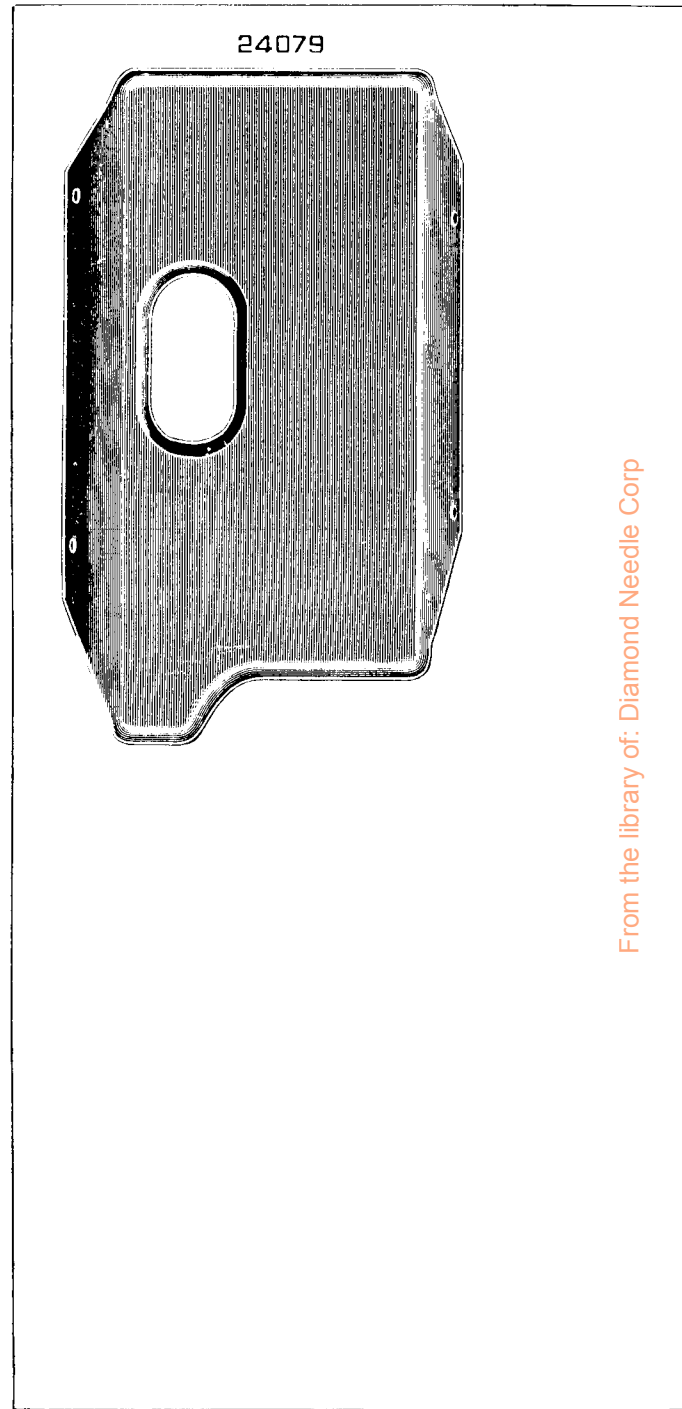
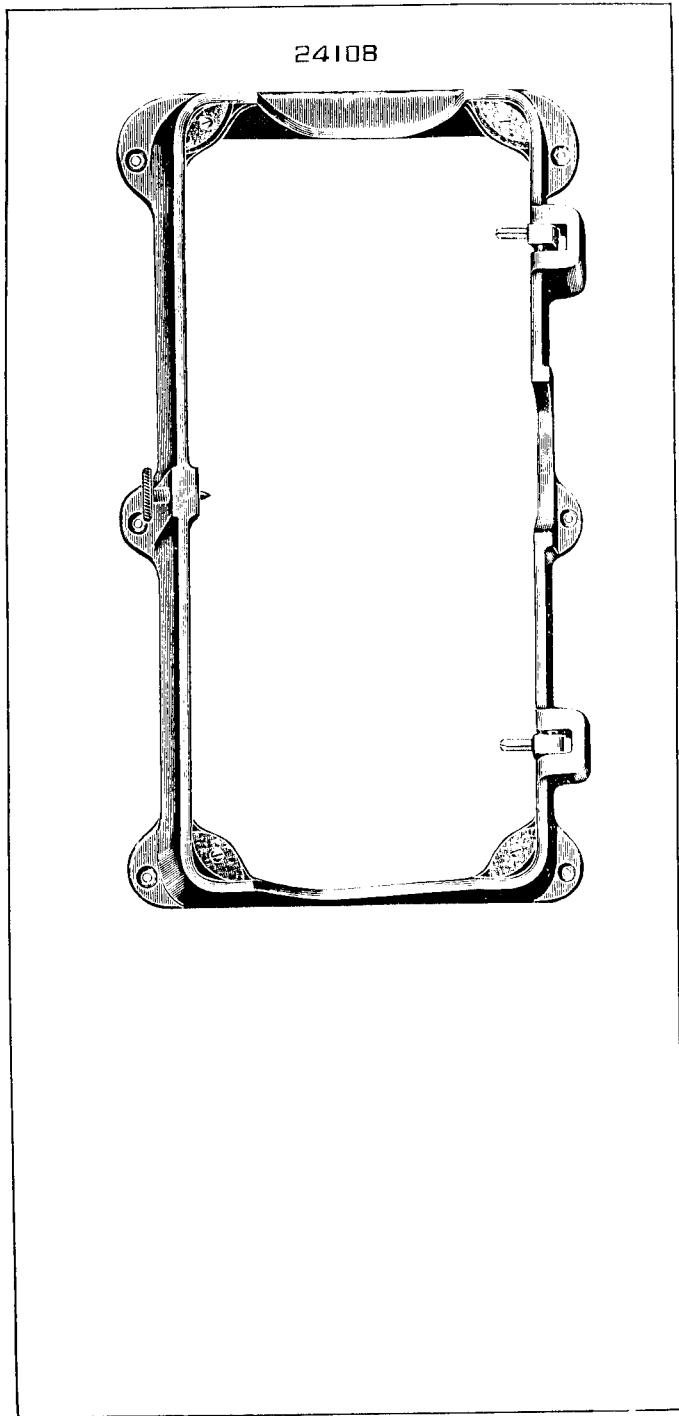
From the library of: Diamond Needle Corp



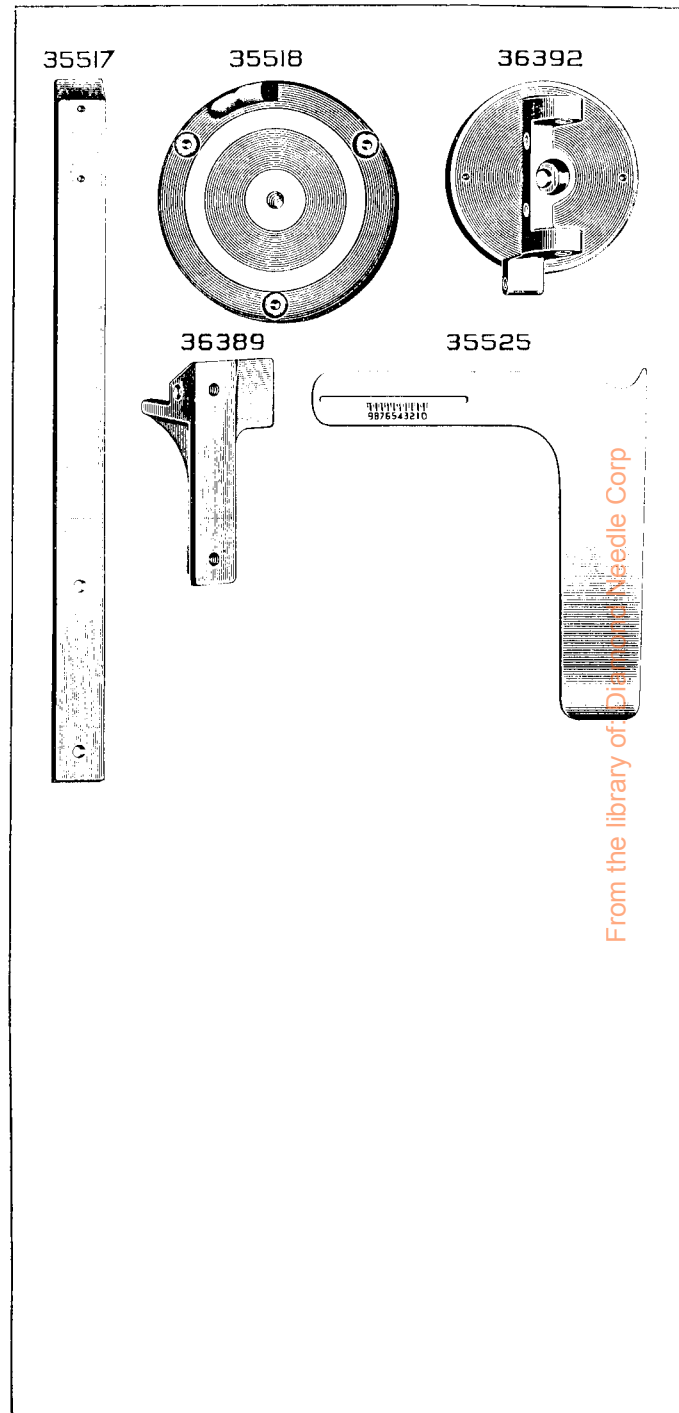
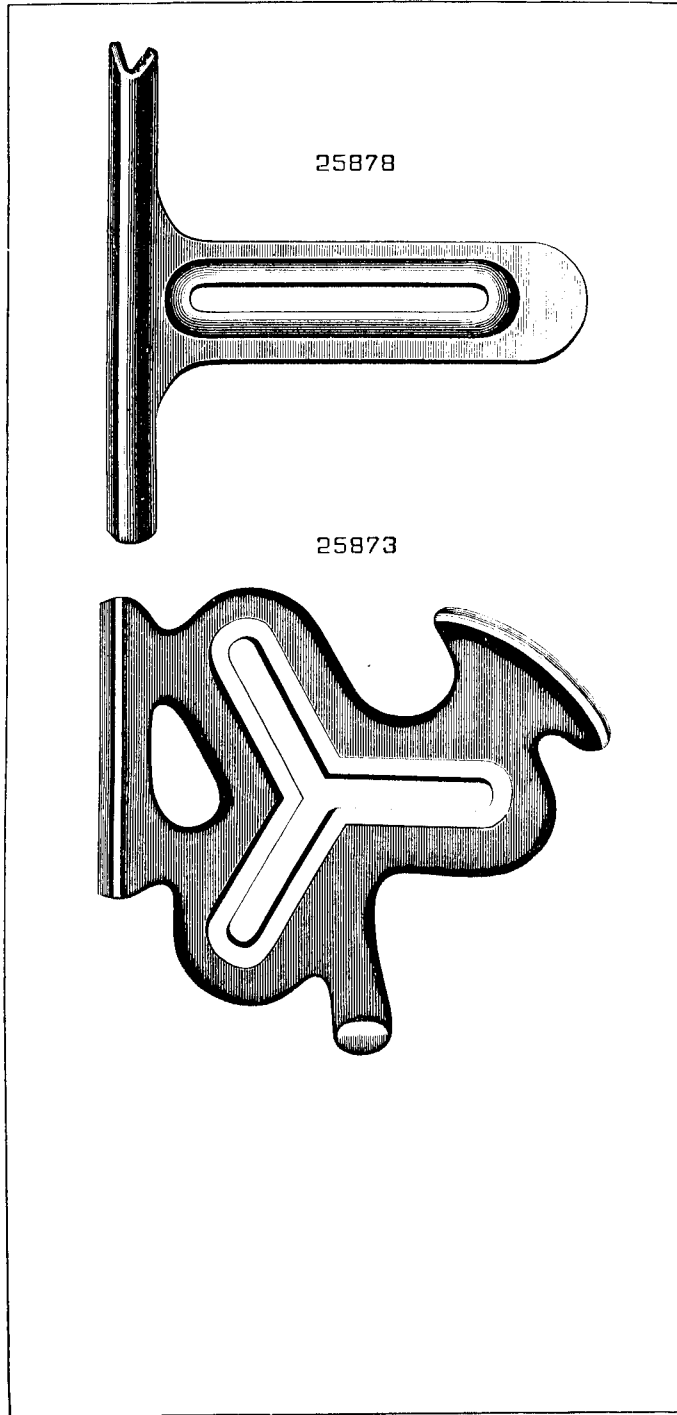


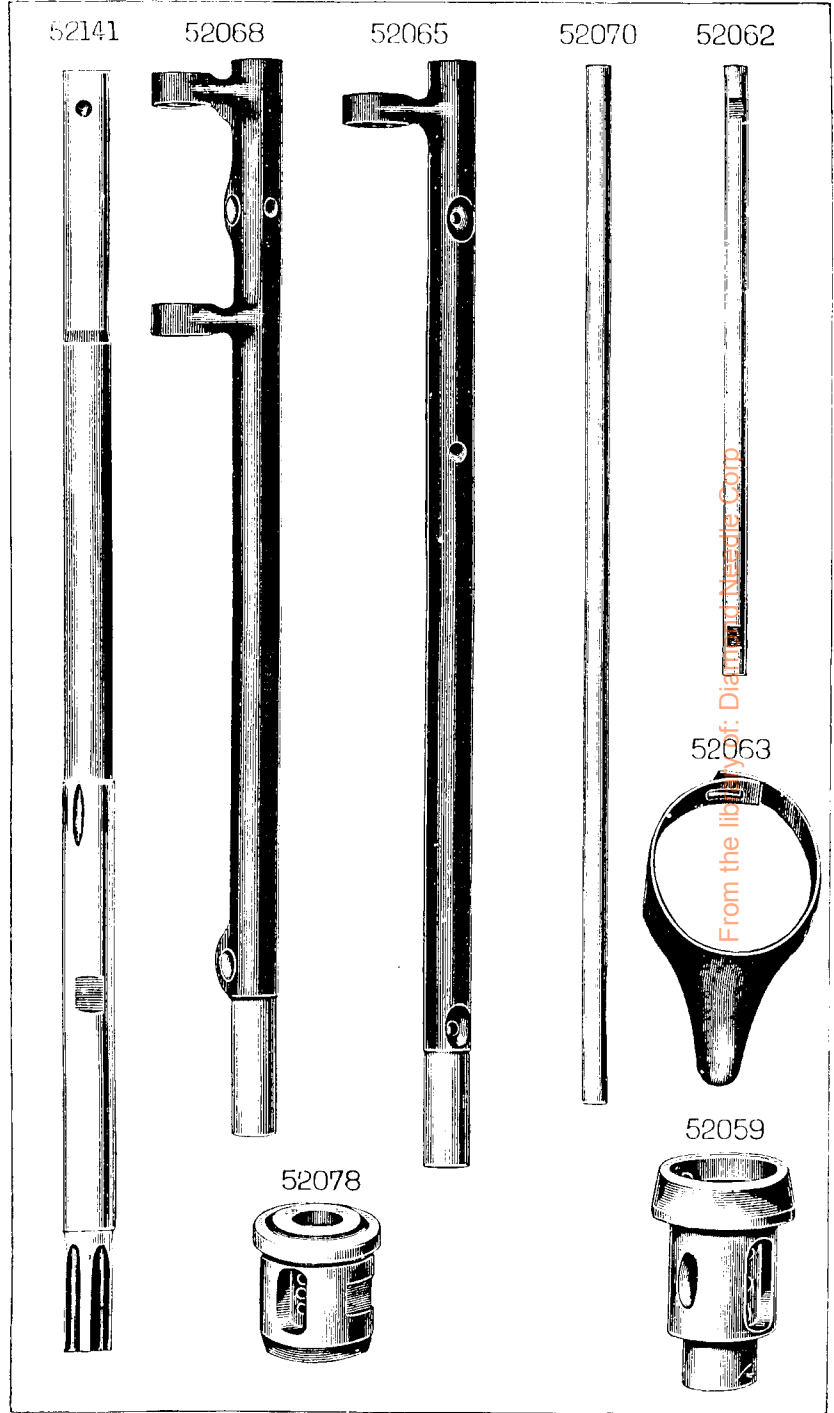
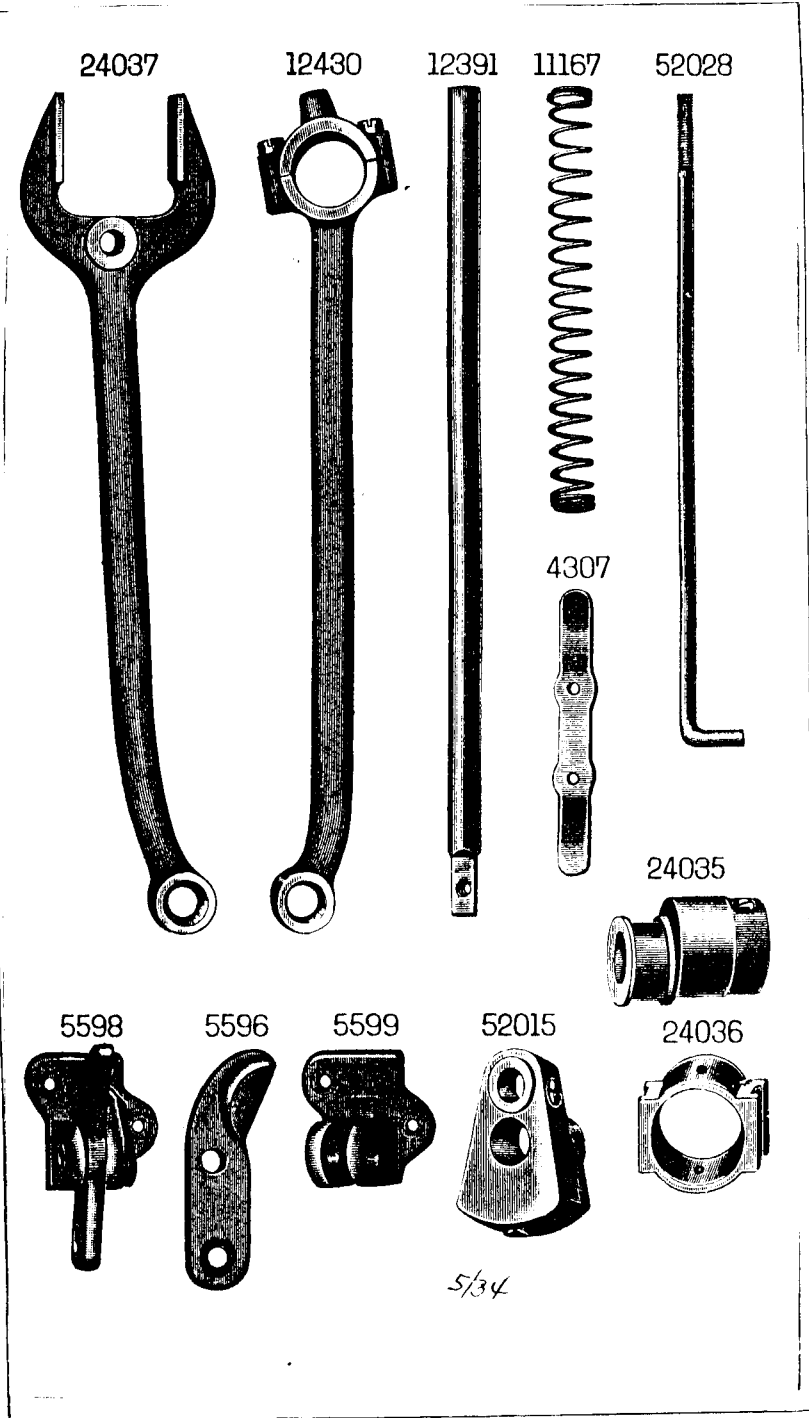


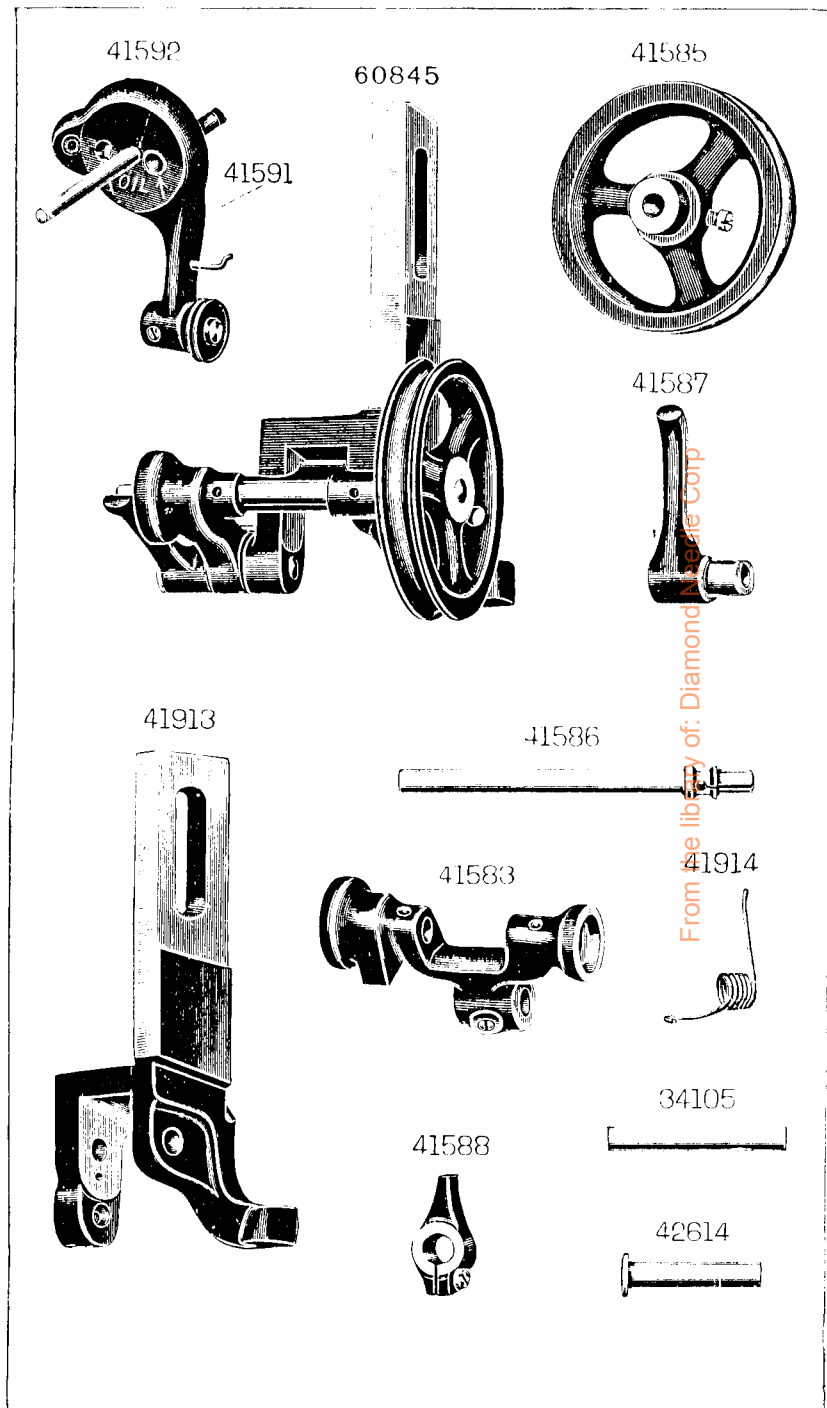
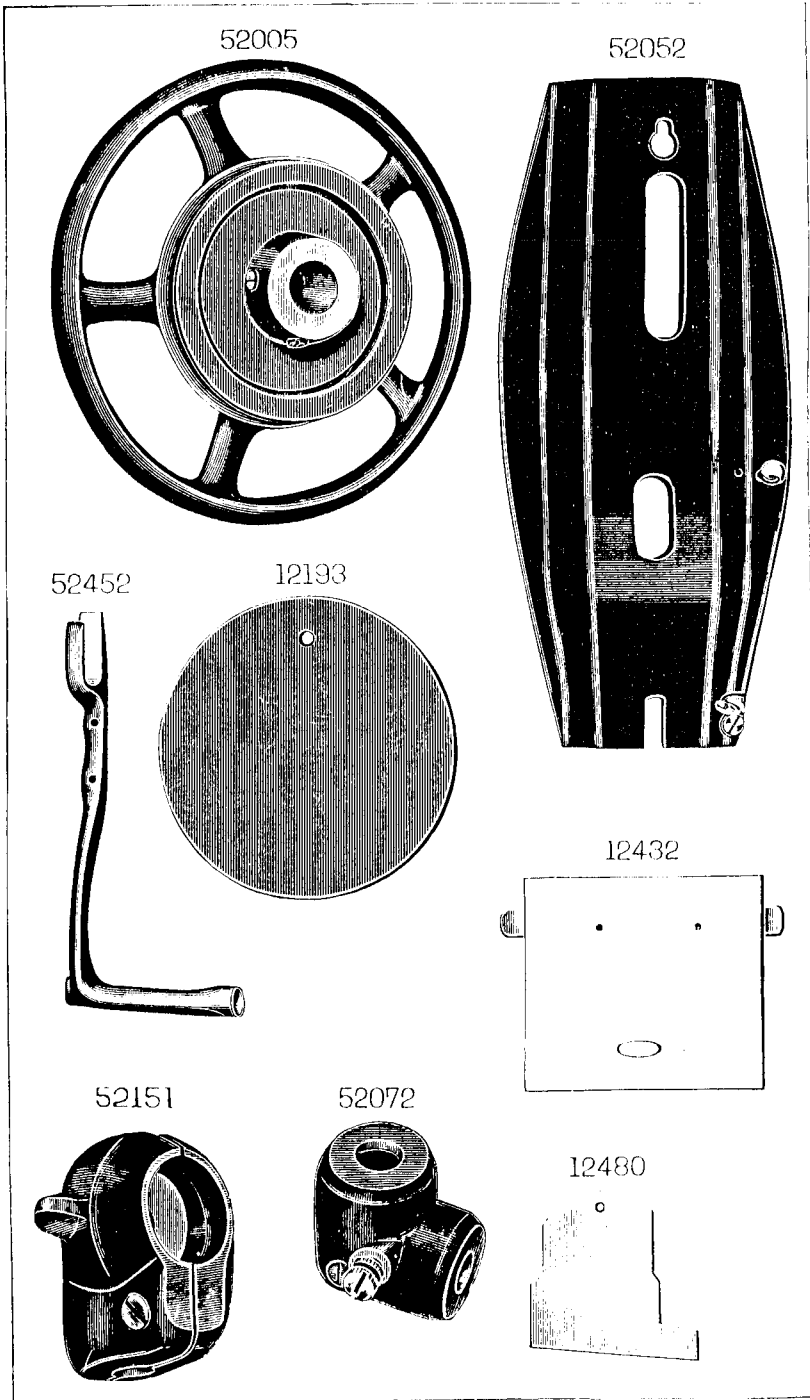
From the library

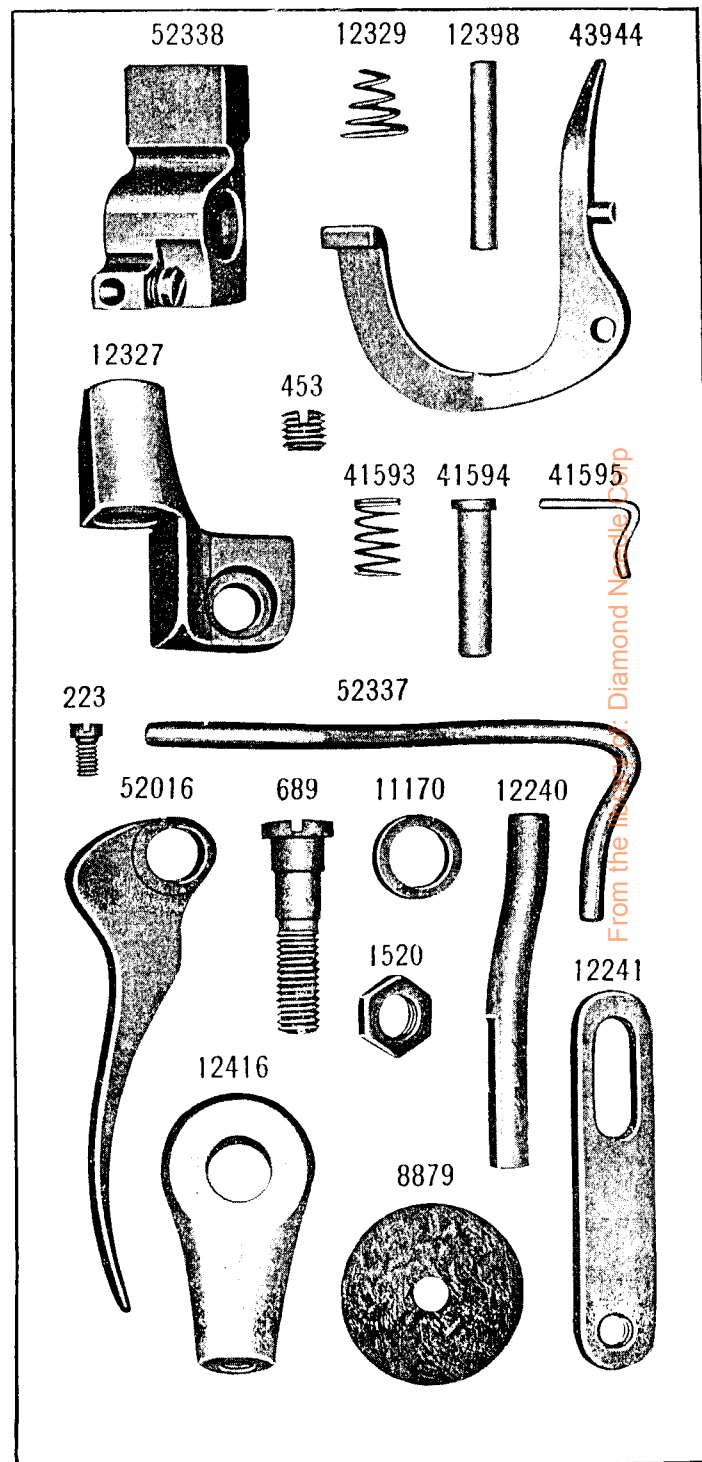
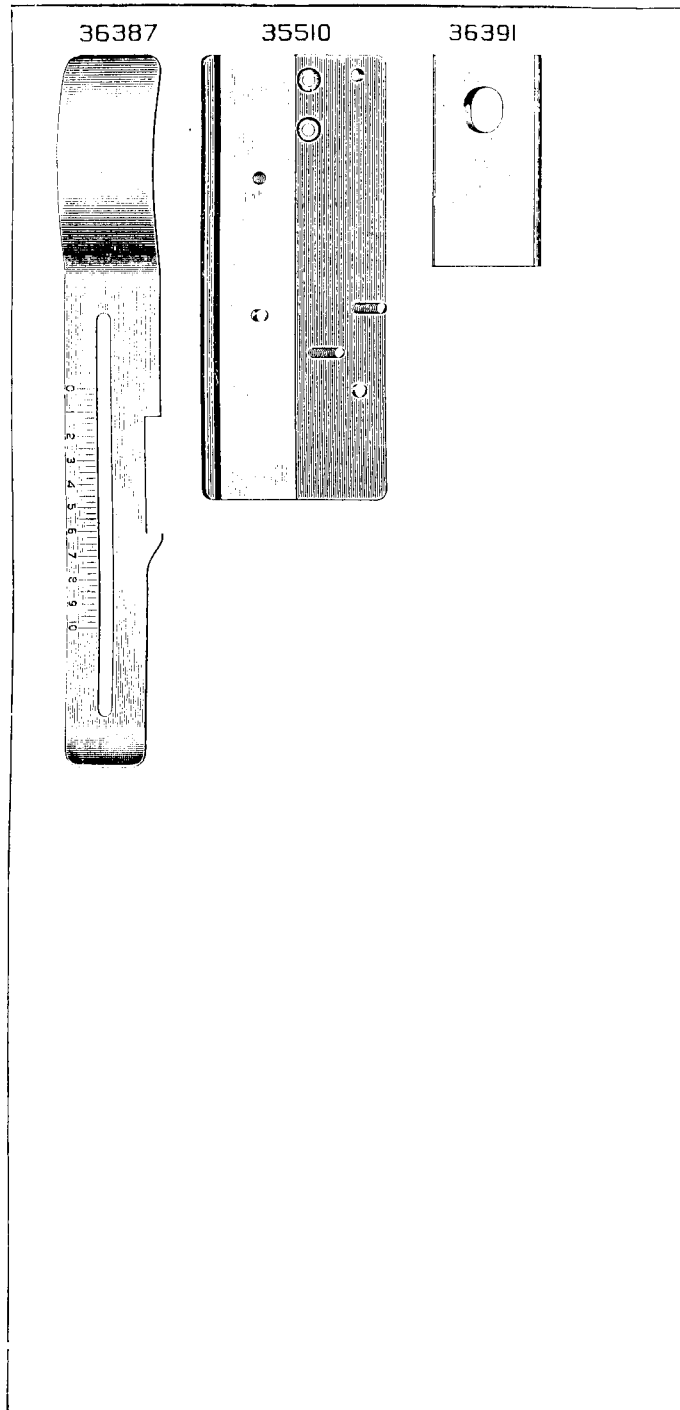


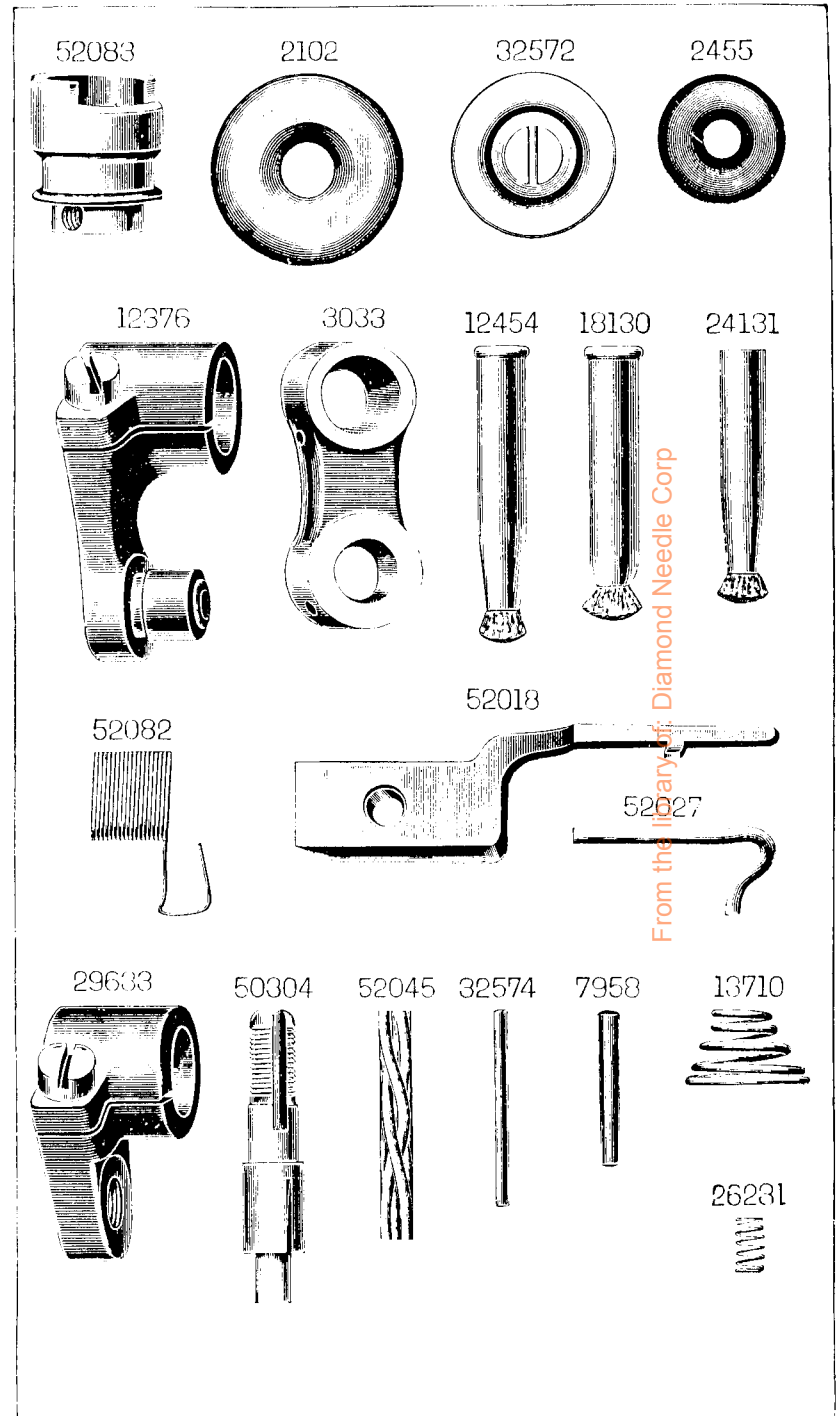
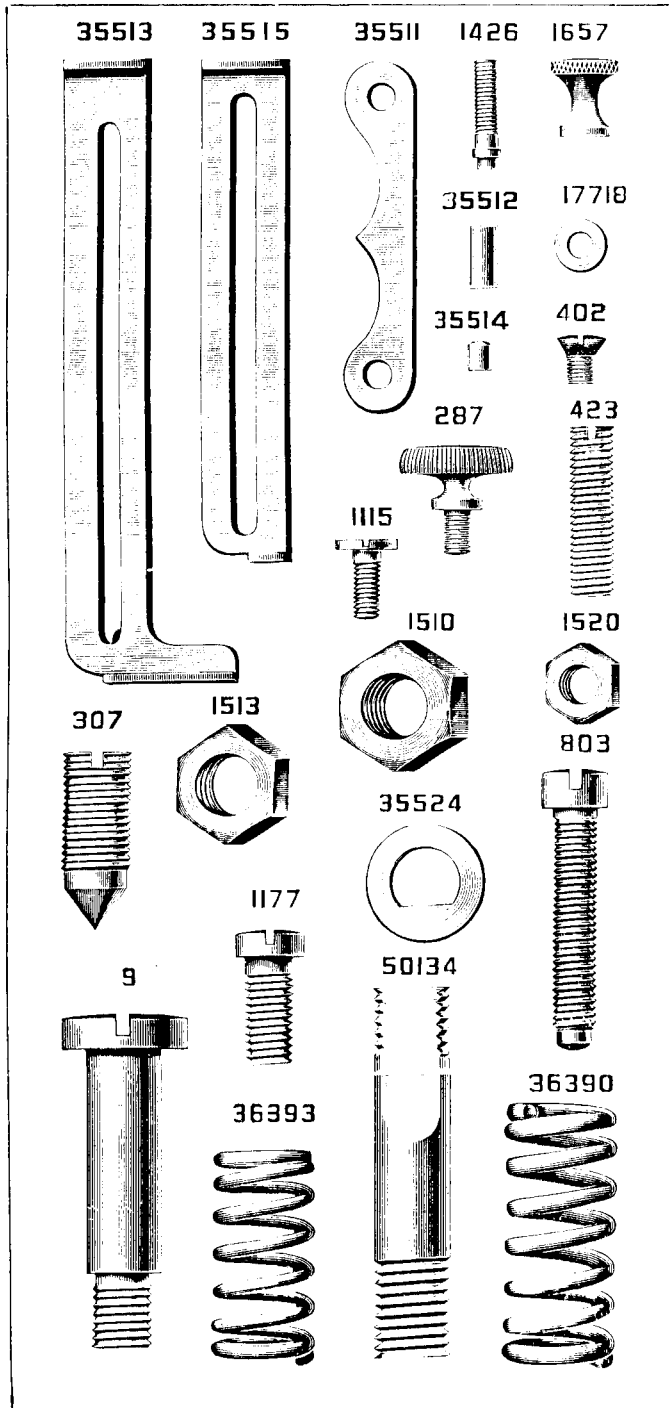
From the library of: Diamond Needle Corp

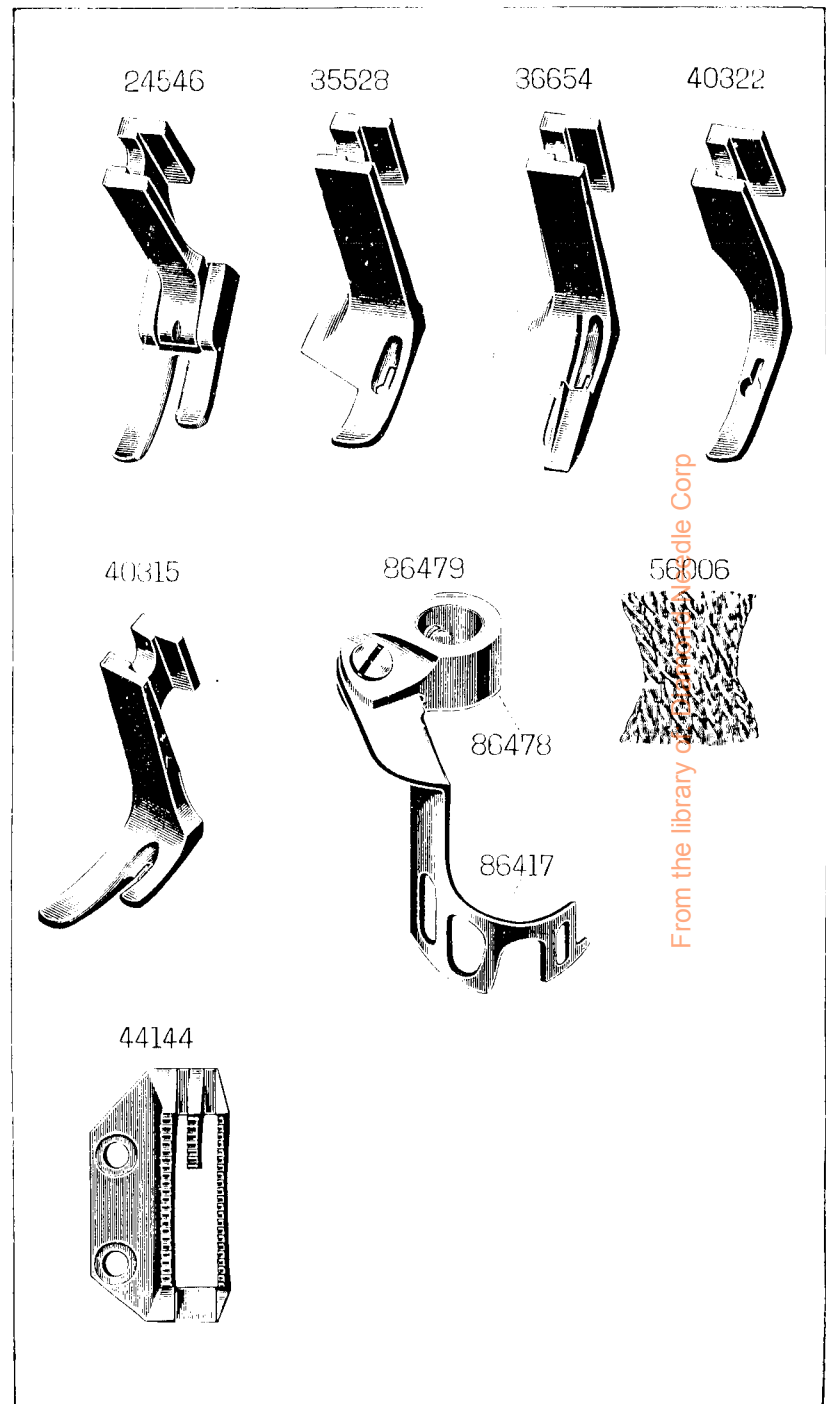
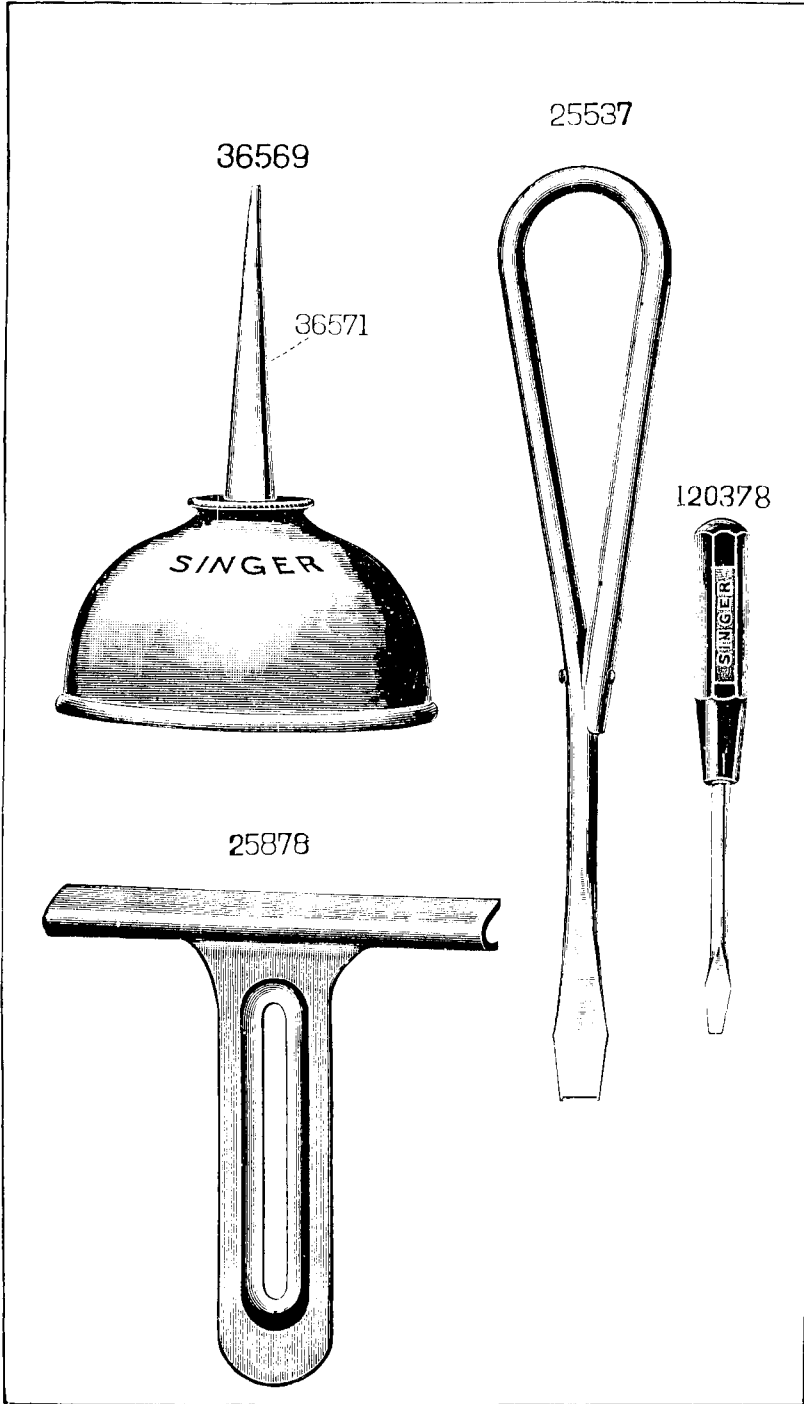






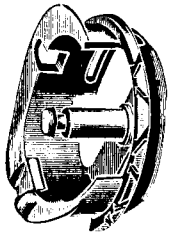




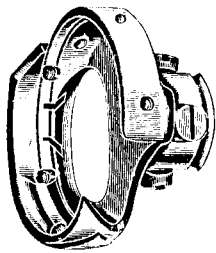


From the library of Singer Sewing Machine Corp

52443



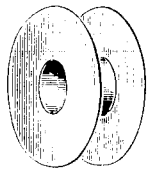
52121



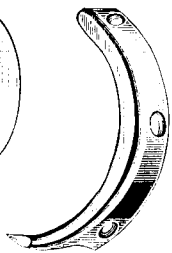
52090



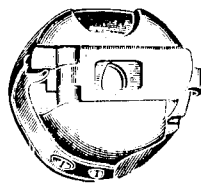
40264



40274



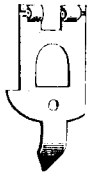
40395



52073



40392



40409



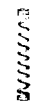
40394



2974



2975



12403



29599



1813



16532



26276



7298



2532



56106



56100



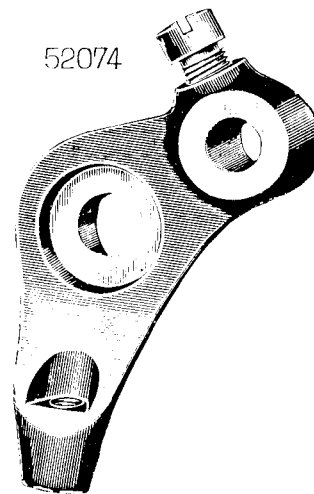
56107



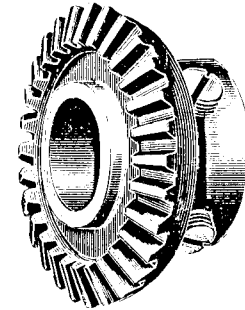
56099



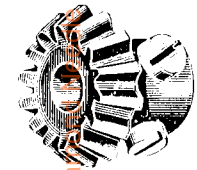
52074



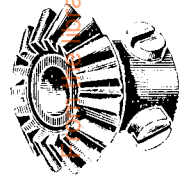
52060



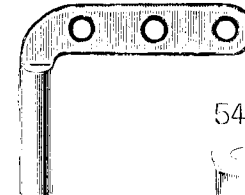
56101



56013



52454



56015



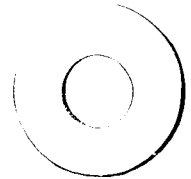
52084



54897



25446



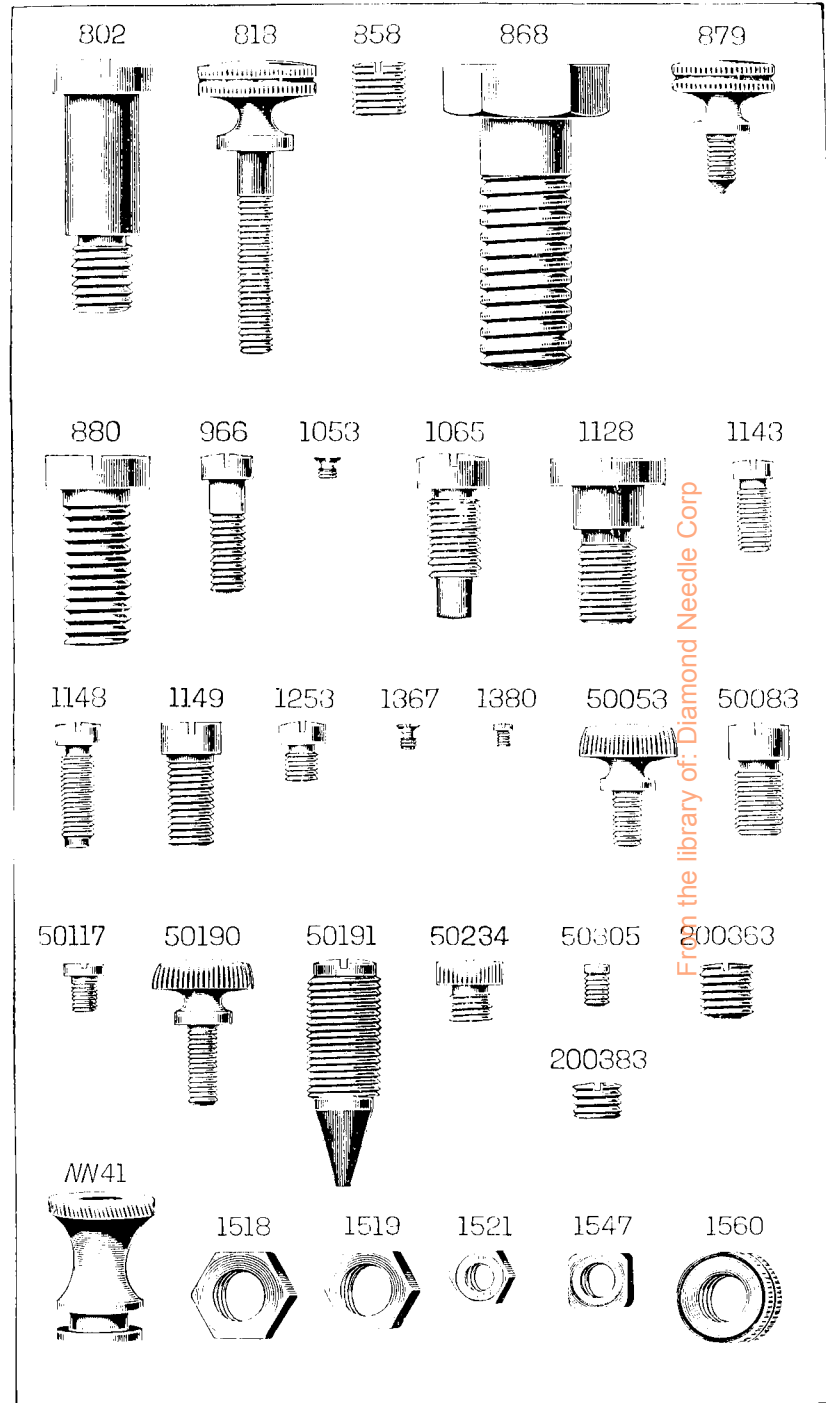
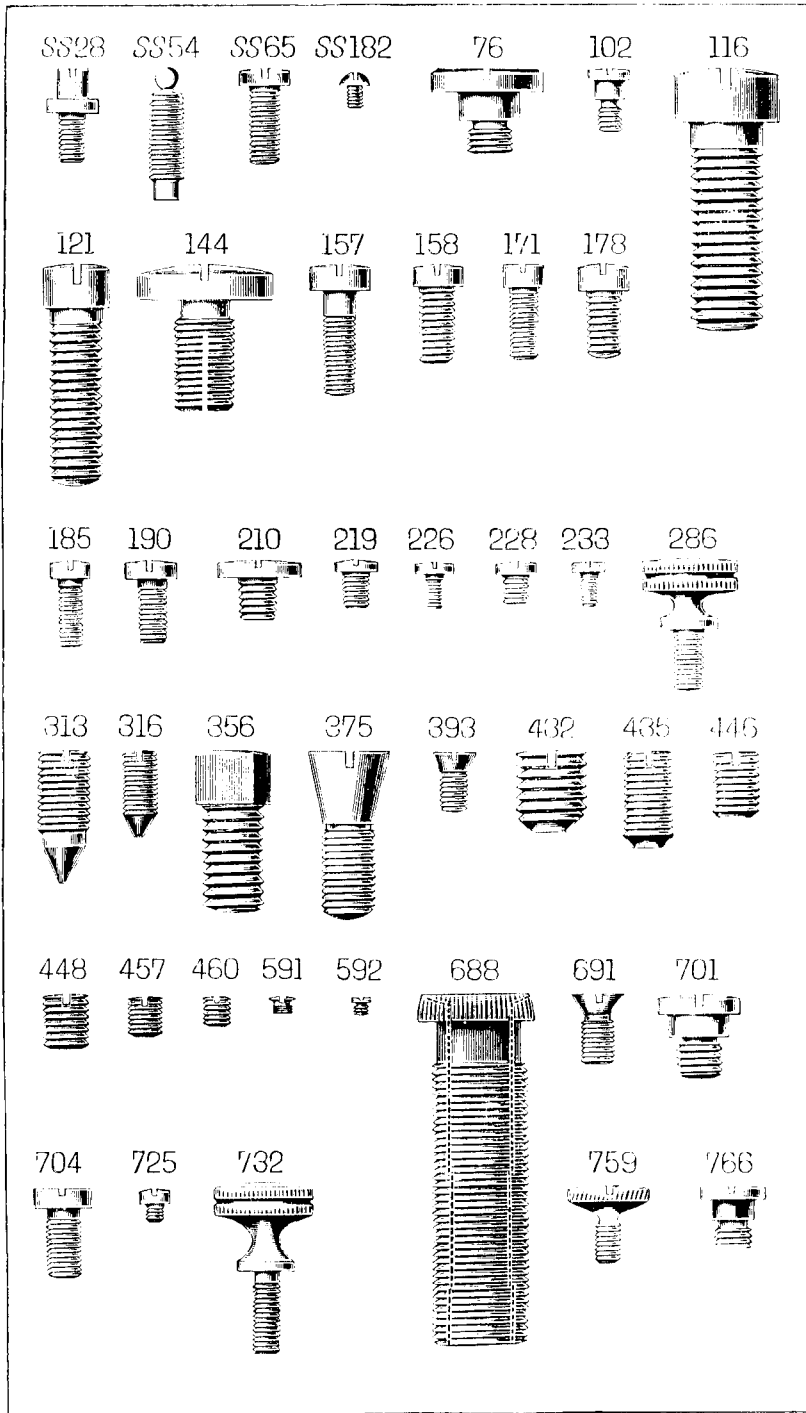
52053

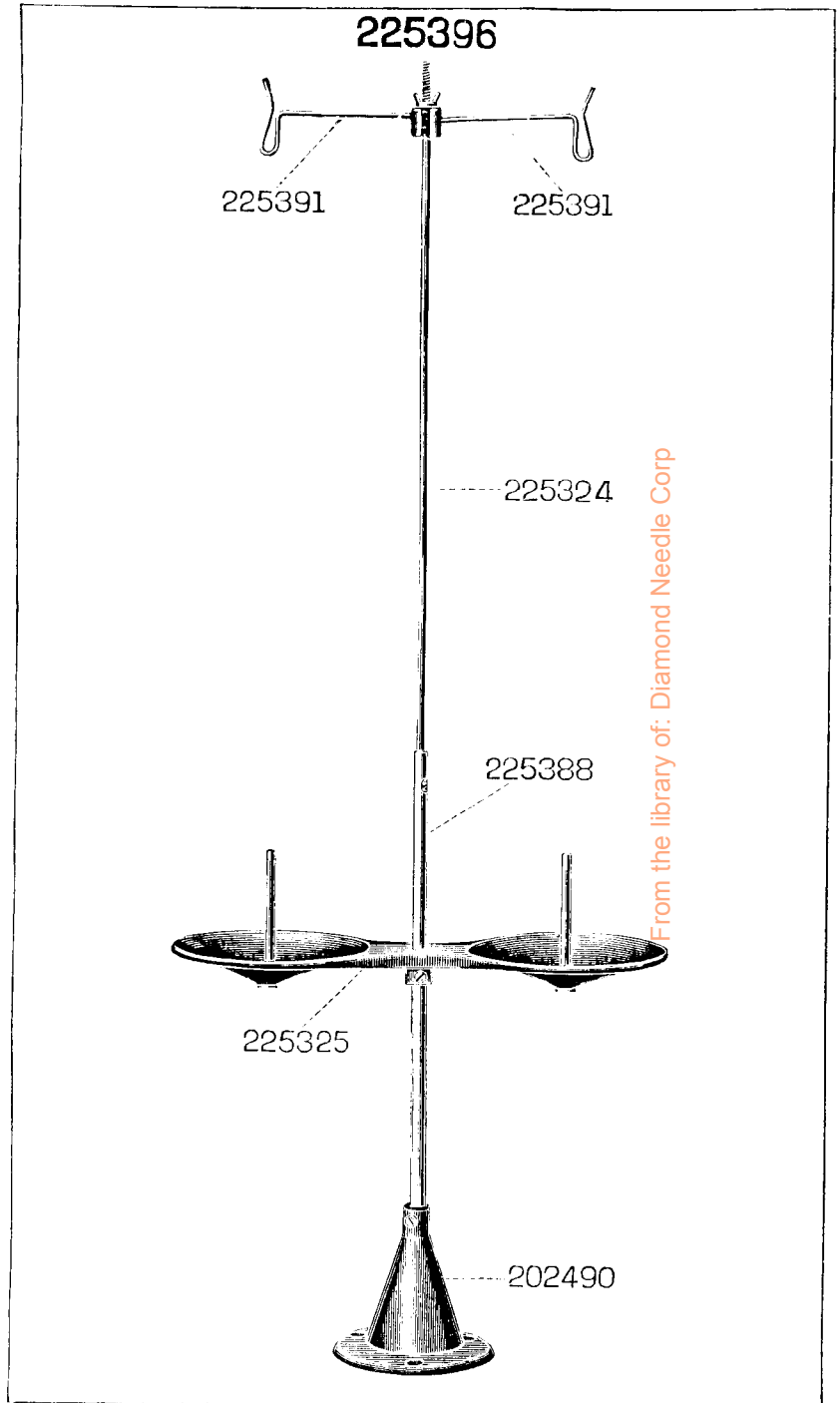
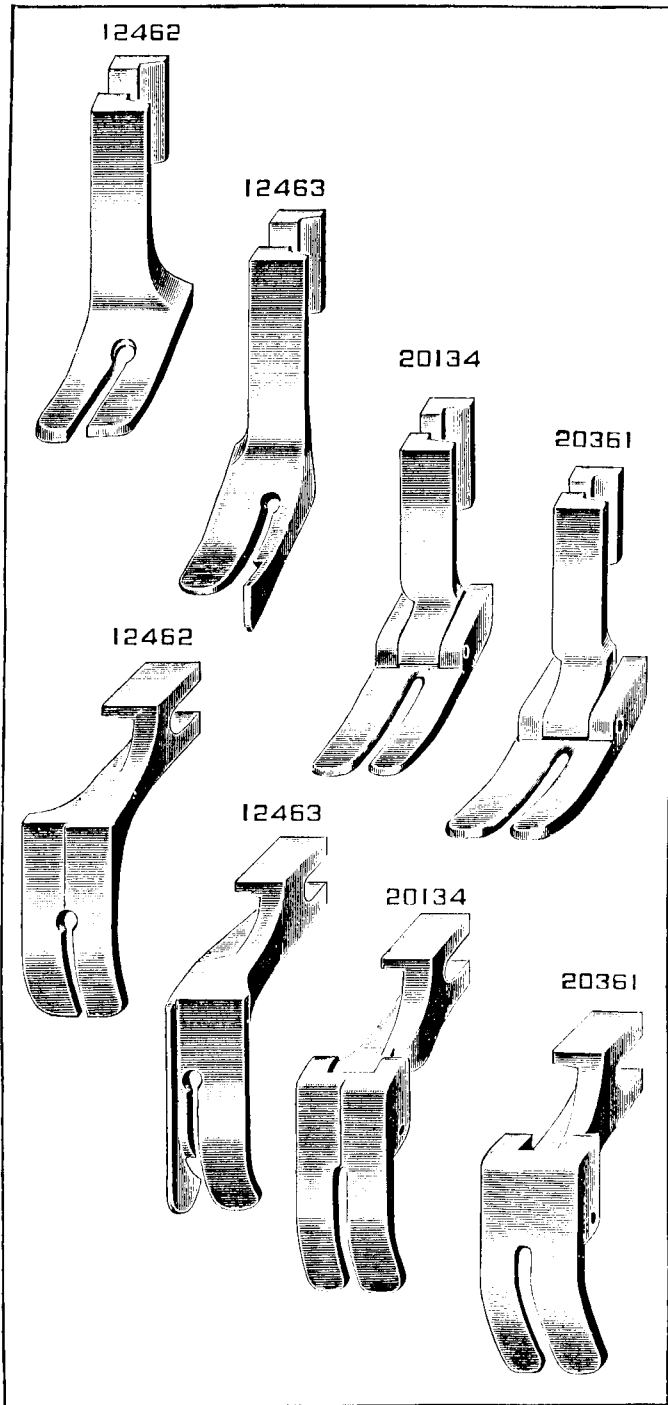


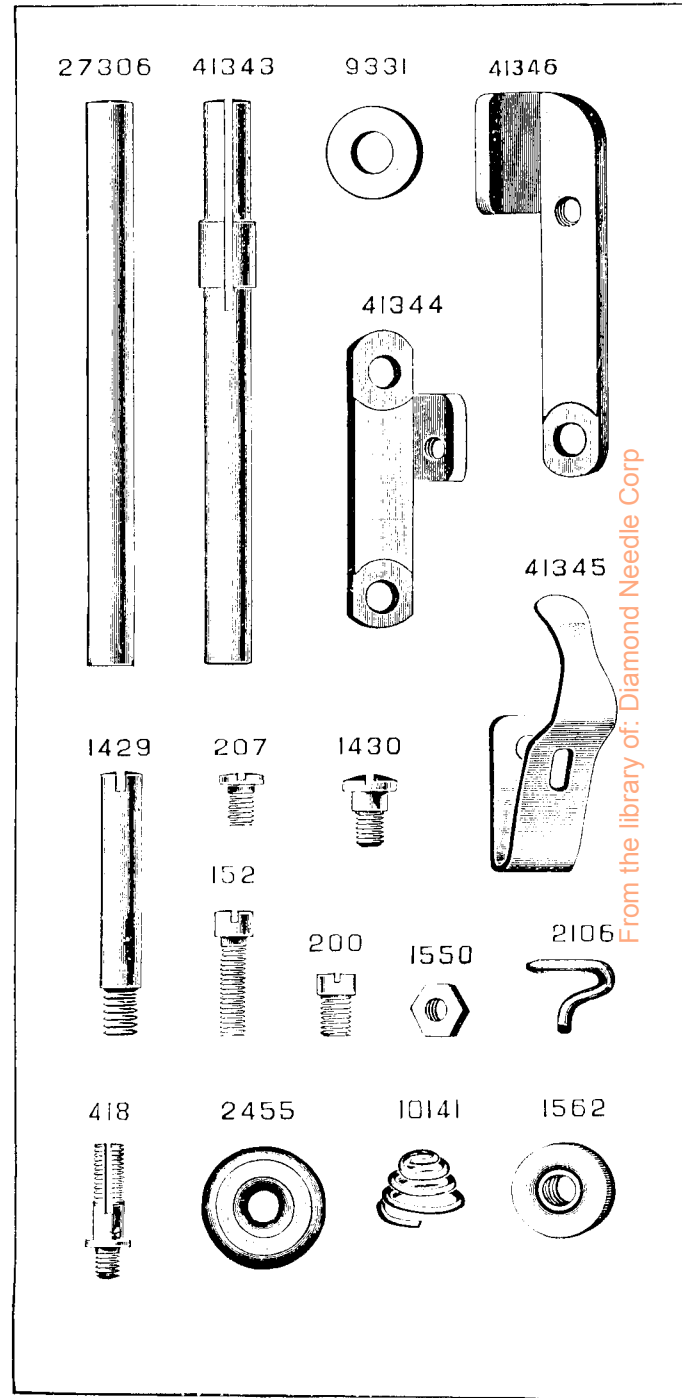
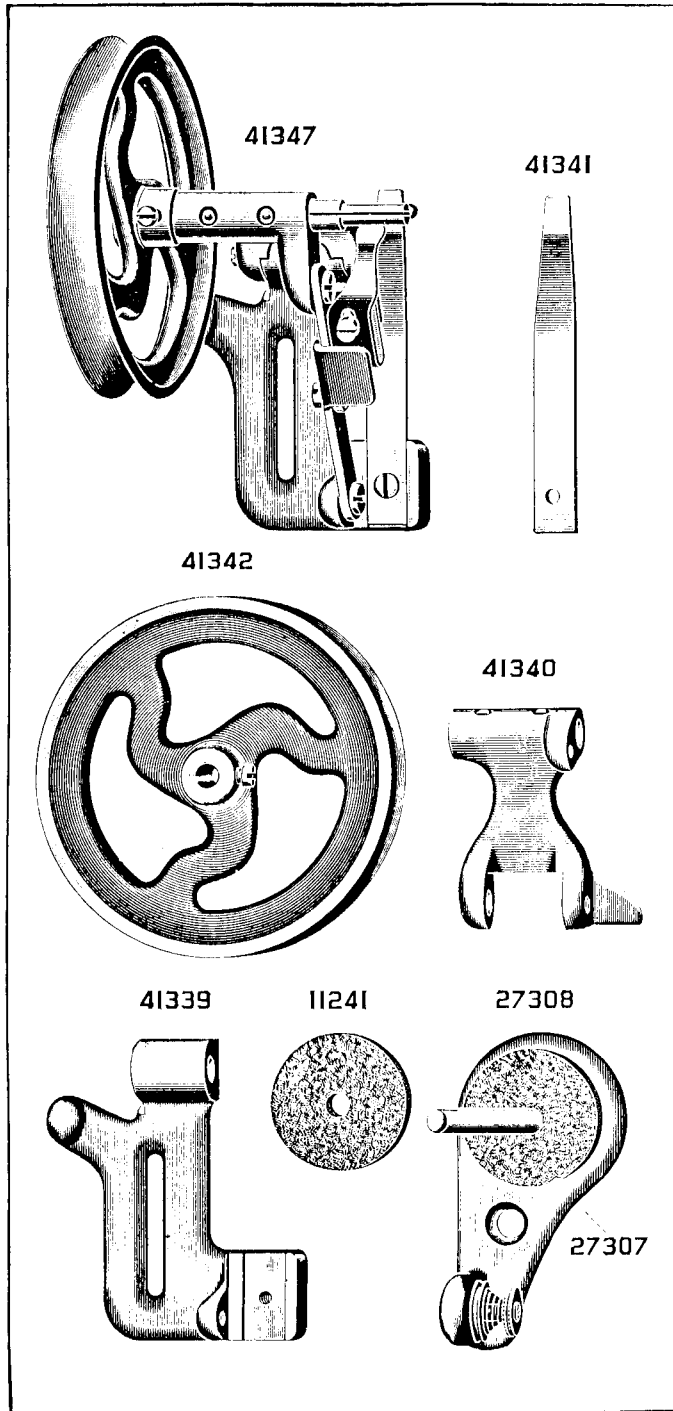
56086



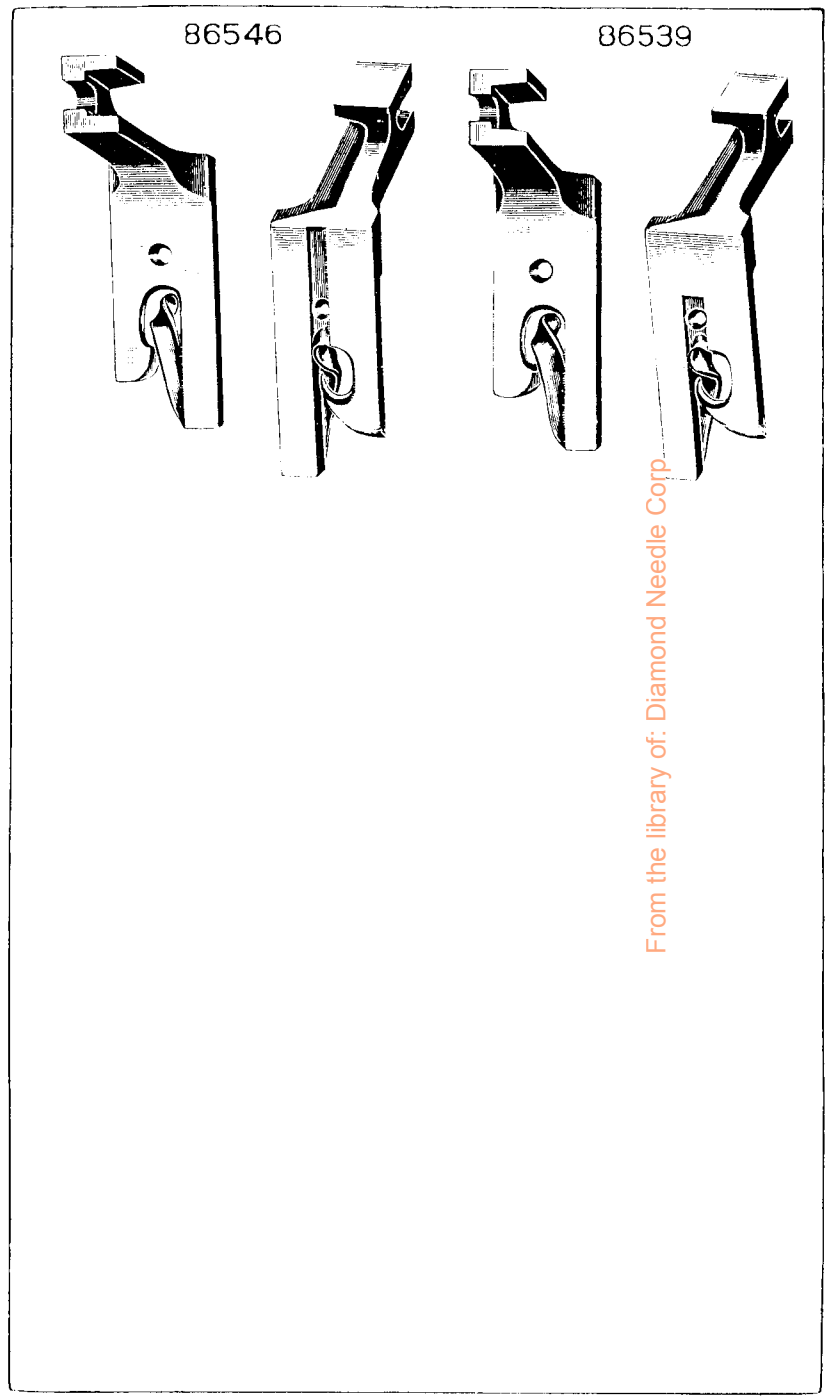
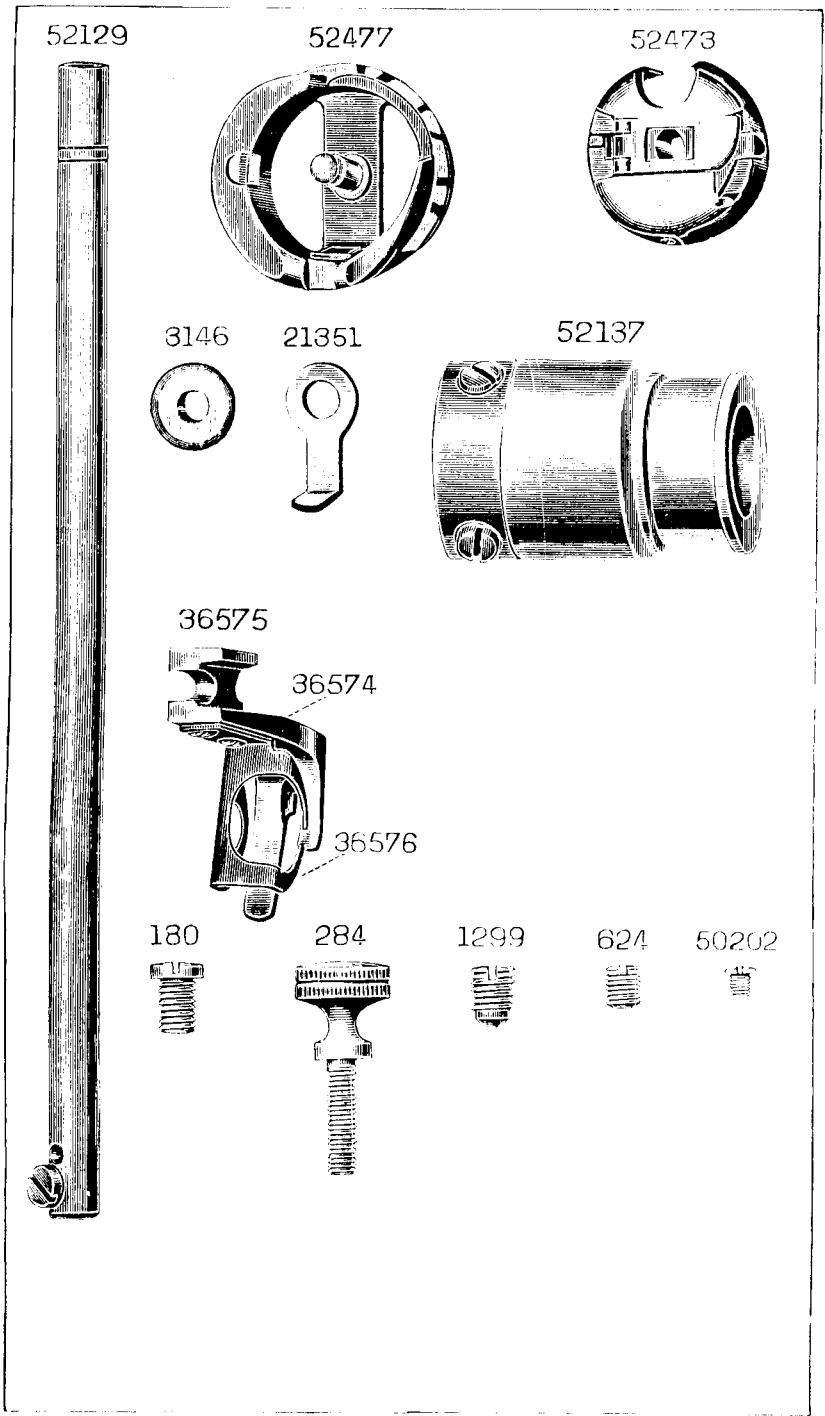
Copyright © 2000 by Dana Corp.







From the library of: Diamond Needle Corp



From the library of: Diamond Needle Corp.

CONTENTS.

	Page
Parts, complete, for 95K10 Machine	57
Parts, special to 95K11 Machine	65
Accessories	66
Attachments	67
Bobbin Winders	76
Iron Base	66
Knee Lifter	78
Numerical List of Parts	81
Spool Holder	66
Thread Unwinder	79

From the library of: Diamond Needle Corp

Instructions for Ordering

In ordering from this List, the prefix and affix letters with the part number **MUST BE** quoted exactly as they are shown in the first column.

A number always indicates the same part in whatever List it may appear, or for whatever machine.

- The prefix *SS* indicates Screws made only at Singer.
 " " *NN* " Nuts made only at Singer.
 " " *RR* " Rollers and Studs made only at Singer.

The affix letters (where shown) indicate the style of finish, as follows:

- A.** Hardened, Polished, Nickel Plated and Buffed.
- B.** Polished, Nickel Plated and Buffed.
- C.** Hardened only.
- D.** Polished only.
- E.** Soft, not Polished.
- F.** Hardened and Polished.
- H.** Blued.
- J.** Nickel Plated only.
- K.** Hardened and Nickel Plated.
- L.** Brass Plated.
- M.** Oxidized.
- N.** Japanned, Dull.
- P.** Japanned, Bright.
- R.** Merlized.
- T.** Copper Plated.
- T.A.** Hardened, Polished, Copper and Nickel Plated and Buffed.
- T.B.** Copper and Nickel Plated and Polished.
- T.J.** Copper and Nickel Plated only.
- T.K.** Hardened, Copper and Nickel Plated.
- T.L.** Copper and Brass Plated.
- T.M.** Copper Plated and Oxidized.
- U.** Zinc Plated.
- V.** Silver Plated.
- W.** Polished and Nickel Plated.
- Y.** Black Nickel Plated only.
- Z.** Chromium Plated.
- Z.B.** Polished, Nickel Plated, Buffed and Chromium Plated.
- Z.J.** Nickel and Chromium Plated.

In this series

- 1 to 1500 and 50001 to 51500 are Screw Numbers.
- 1501 " 1800 are Nut Numbers.
- 1801 " 2000 are Roller Numbers.
- 2001 " 50000 are Numbers of Machine Parts, etc.
- 80001 " 100000 are Numbers of Machine Parts, etc., made only at Singer.
- 120001 " 190000 are Numbers of Machine Parts, etc.
- 190001 " 200000 are Numbers of Electrical Parts.
- 700001 and upwards are Numbers of Electrical Parts.

Parts marked with an asterisk () are furnished only when the repairs are made at Factory.*

PARTS COMPLETE

FOR

No. 95K10 Machine

For Light and Medium Weight Fabrics, Maximum Stitch 7 to the inch. Drop Feed.

NOTE: -Due to the accuracy required for Gear alignment, Arm cannot be supplied separately and can only be sent out as a unit, Arm and Bed assembled.

No.	Plate	Part Description		
*52077		Arm with 15401, two each 15405 and 56015
16532	1322	" Dowel Pin (2)
24131	1318	" Oil Tube with 52045 for oiling 24036
52084	1323	" " " " 52045 " " 24040
18130	1318	" " " " 52045 " " 52022
12454	1318	" " " " 52045 " " 52024
52148		" " " " " " " " " " " "
52149		" " " " 52148 with 52150
52150		" " " " Packing (braided cotton)
52045	1318	" " " " Packing (cotton wick)
116c	1324	" Screw (back) (2)
868c	1325	" " (front) (2)
52141	1312	" Shaft (horizontal)
52059	1312	" " (") Flanged Bushing (back)
52045	1318	" " (") " " (") Oil Pad
				(cotton wick)
446c	1324	" " (") " " (") Set Screw
52078	1312	" " (") " " (front)
52045	1318	" " (") " " (") Oil Pad
				(cotton wick)
435c	1324	" " (") " " (") Set Screw
52060	1323	" " (") Gear with two 1036c
52151	1313	" " (") " Case (two pieces) with 121e
121c	1324	" " (") " " Screw
1036c	969	" " (") " Set Screw

From the library of: Dial and Needle Corp

No.	Plate	
52036	971	Presser Foot (hinged), complete, Nos. 26276, 52034 and 52035, for 52031
62527	---	Presser Foot Hinge Pin
24544	---	" " Plate
24982	---	" " Shank
26231	1318	" " Spring
24983	---	Presser Foot (spring hinged), complete, Nos. 24544, 24982, 26231 and 62527 for 52031
190d	1324	Presser Foot Screw
<i>NOTE:--No. 24983 is sent with this machine unless another Presser Foot is specified on order.</i>		
688j	1324	Pressure Regulating Thumb Screw
52121	1322	Rotating Hook with three 1253c
52123	"	" " 52121, with 52090 and four 1053c
52089	"	" " 52123, " 40274 and three 1367d
52478	"	" " 52089, " 52474
40264	1322	" " Bobbin
52472	"	" " Case
52481	"	" " " " 52472, with 5911, 1380d and 40394
40392	1322	" " " " Latch
40409	1322	" " " " Lever
2974	1322	" " " " Eulerum Pin
2975	1322	" " " " Spring
592c	1324	" " " " Stop Screw
40393	"	" " " " Hinge , Nos. 2974, 40392 and 40409
591f	1324	" " " " Tension Regulating Screw
40394	1322	" " " " Spring
1380d	1325	" " " " Screw
52473	1770	" " " " complete, Nos. 592c, 2975, 40393 and 52481
52474	"	" " " " 52473, with 52477
52477	1770	" " " " Holder , with 52475 and two 52476
52018	1318	" " " " Position Bracket
704j	1324	" " " " Screw
*52475	"	" " " " Locating Plate
*52476	"	" " " " Rivet
40274	1322	" " Section
1367d	1325	" " Screw
1253c	1325	" " Set Screw
52070	1312	" " Shaft
56106	1323	" " Bushing (back)
52045	1318	" " " " (") Packing (Cotton)
1143c	1325	" " " " (") Set Screw
56107	1323	" " " " (front)
52045	1318	" " " " (") Packing (Cotton)

No.	Plate	
1148c	1325	Rotating Hook Shaft Bushing (front) Set Screw
54897	1323	" " " Front Bearing Oil Cup
56013	1323	" " " Gear with two 1253c
52072	1313	" " " Case (two pieces), with 121c and 50234d
50234d	1325	" " " Plug Screw
121c	1324	" " " Screw
1253c	1325	" " " Set Screw
52090	1322	" " Thread Guard
1053c	1325	" " " Screw
52337	1316	Slack Thread Regulator
223c	1316	" " Set Screw
2102	1318	Tension Disc
1560c	1325	" Regulating Thumb Nut
32572	1318	" Releasing Disc
43044	1316	" Lever
12398	1316	" Hinge Pin
12329	1316	" Spring
32574	1318	" Pin
13710	1318	" Spring
50304c	1318	" Stud
50305c	1325	" " Set Screw
52092		Tension , complete, Nos. 1560c, 13710, 32572, 32574, 50304c, 52082, 52083 and two 2102
52026	969	Thread Eyelet for 52013
52027	1318	Thread Guard (side of arm)
52454	1323	Thread Retainer
624c	1770	" " Set Screw
52021	969	Thread Take-up Crank
52143	"	" " " 52021 with 775c and 24894
1037c	969	" " Position Screw
1036c	969	" " Set Screw
52022	969	Thread Take-up Lever with 52130
52023	969	" " Hinge Pin
52024	969	" " Link
11204	969	" " Hinge Pin
435c	1324	" " " Set Screw
52130	"	" " Thread Eyelet Bushing
52025		Thread Take-up Lever , complete, Nos. 52022 to 52024

No.	Plate				
52082	1318	Thread Take-up Spring
52083	1318	" " " Regulator with 50305e
448c	1324	" " " " Set Screw
52054	...	Thread Take-up , complete, Nos. 11204, 52025 and 52143
20139	966	Throat Plate , large needle hole, for 20138 and 20162
20140	...	" " small " " " 20138 " 20162
20190	966	" " large " " " 12369 " 12457
20191	...	" " small " " " 12369 " 12457
20135	966	Throat Plate , large needle hole, for 12450 and 20348
20136	...	" " small " " " 12450 " 20348
20124	964	" " large " " " 20117 " 20132
20125	...	" " small " " " 20117 " 20132
20143	964	" " large " " " 20142
20144	...	" " small " " " 20142
20148	964	" " large " " " 20147 and 44177
20149	...	" " small " " " 20147 " 44177
20152	965	" " large " " " 20151 " 44144
20153	...	" " small " " " 20151 " 44144
20160	965	" " large " " " 20159
20161	...	" " small " " " 20159
20326	965	" " large " " " 20325
20327	...	" " small " " " 20325
52032	...	" " large " " " 52031
52033	967	" " small " " " 52031
691f	1324	" " Screw (2).	10/33

NOTE. 52033 is sent with this machine unless another Throat Plate is specified on order.

*15404	...	Trade Mark
15405	...	" " Rivet
24079	983	Drip Pan , with four Wood Screws, $\frac{1}{2}$ " No. 5...

No. 95K11 Machine

Drop Feed ; For Collar and Cuff Work.

This Machine is the same as 95K10 with the following exceptions :

No.	Plate				
20163	968	Feed Dog , $\frac{1}{16}$ " stitch
20164	968	" " " $\frac{1}{8}$ " " "
NOTE. --No. 20164 is sent with this machine unless other Feed Dog is specified on order.					
21351	1770	Feed Regulator Thumb Screw Stop
25873	985	Guide (combination)
284d	1770	" Thumb Screw
3146	1770	" " " Washer
12435	973	Presser Foot with 228d
NOTE. No. 12435 is sent with this machine unless another Presser Foot is specified on order.					
12462	1519	Presser Foot , $\frac{3}{16}$ " gauge and above
NOTE. When ordering No. 12462 give width of turned edge from seam.					
12463	1519	Presser Foot with Strip Guide
12335	973	" " (narrow)
20133	...	" " Plate
19223	...	" " Shank
20134	1519	Presser Foot (hinged), complete, for $\frac{3}{16}$ " gauge and above, Nos. 19223, 20133 and 26276
NOTE. When ordering No. 20134 give width of turned edge from seam.					
20155	...	Presser Foot Plate
20156	...	" " Shank
20157	973	Presser Foot (hinged), complete, Nos. 228d, 2532, 20155 and 20156
20343	973	Presser Foot with Guide on bottom to the right of Needle Hole
20360	...	Presser Foot Plate
19335	...	" " Shank
20361	1519	Presser Foot (hinged), plain bottom, complete, Nos. 19335, 20360 and 26276
36574	1770	Presser Foot
36575	1770	" " 36574, with 36576 and two 50202d
36576	1770	" " Finger Guard
50202d	1770	" " " " Screw
20123	968	Throat Plate for 20163 and 20164

From the library of: Diamond Needle Corp

IRON BASE

No.	Plate	
24106	980	Bed Frame Cushion (Felt)
158c	1324	" " " Screw
24107	980	" " Hinge Connection
9261	980	" " " " Pin
970d	980	" " Thumb Screw
24108	982	Bed Frame , with 970d, two each 9261, 24107, four each 158c, 24106 and six Wood Screws 1 1/4" No. 10

ACCESSORIES

No.	Plate	
40264	1322	Bobbin (5)
36569	1319	Oiler with 36571
36570	-	" 36569, filled with Oil
36571	1319	" Spout, 1 3/4" long
25537	1319	Screw Driver (large)
120378	1319	" " (small)

SPOOL HOLDER (Disc)

FOR 95K11 MACHINE

No.	Plate	
26763	200	Bracket with 219f and 2574 922 ^d 5/34
219f	1324	" Screw
922 ^d 2574 1324	1324	" Thumb Screw 5/34
19066	200	Spindle
19067	200	" Thread Guiding Disc
691f	1324	" " " " Screw
26764	200	Spool Holder , complete, Nos. 691f, 19066, 19067 and 26763

ATTACHMENTS

BINDERS

When ordering Binders send sample of the Binding and of the Material to be bound.

BINDER for Cap Peak Work

No.	Plate	
85678	559	Feed Dog
85459	559	Folder Base
85460	559	" (top)
207d	558	" (") Binding Screw
85461	-	" (bottom)
SS50d	186	" (") Binding Screw
85462	559	Folder Roller Guide , complete, Nos. 701d, 85463 and 85464
85463	-	" " " Bracket
85464	-	" " " Roller
701d	1324	" " " " Screw
SS50d	186	" " " Binding Screw
176d	559	" Screw (to fasten to machine)
85325	186	" " Washer
85458	559	Folder , complete, Nos. 85459 to 85462, two 207d and four SS50d
85679	559	Presser Foot
85680	559	Throat Plate
85681	559	Binder , complete, Nos. 85458, 85678 to 85680, two each 176d and 85325

From the library of: Diamond Needle Corp

BINDER for Cardigan Jackets

No.	Plate	
85682	558	Feed Dog
85336	-	Folder Base
85337	-	" Folding Plate (top)
85338	-	" " " (bottom)
233d	1324	" " " Screw for 85337 and 85338
SS50d	186	" Screw
85325	186	" " Washer
85335	-	" complete, Nos. 85336 to 85338, and four 233d

No.	Plate	
85683	558	Presser Foot
85324		Tape Tension Pin (bent)
85323		" " " (straight)
85340		" " Plate
85339	558	" " complete, Nos. 85324, 85340 and four 85323 ...
207d	558	" " Screw
85325	186	" " " Washer
85684	558	Throat Plate
85685	558	Binder , complete, Nos. SS50d, 207d, 85335, 85339, 85682 to 85684 and two 85325

BINDER, $\frac{1}{2}$ ", for General Work

No.	Plate	
85686	558	Feed Dog
85320	558	Folder
SS50d	186	" Screw
85325	186	" " Washer
85687		Presser Foot Bracket
85688		" " " Hinge Pin
85689		" " Sole
85690	558	" " (hinged), complete, Nos. 85687 to 85689 ...
85324		Tape Tension Pin (bent)
85323		" " " (straight)
85322		" " Plate
85321	557	" " complete, Nos. 85322, 85324 and eight 85323 ...
SS50d	186	" " Screw
85325	186	" " " Washer
85691	558	Throat Plate
85692	558	Binder , complete, Nos. 85320, 85321, 85686, 85690, 85691, two each SS50d and 85325

BINDER, $\frac{1}{2}$ ", for Stay Work

No.	Plate	
85693	557	Feed Dog
85614	- -	Folder
SS65d	1324	" Screw
85694	- - -	Presser Foot Bracket
85616	- - -	" " " Hinge Pin
85695	- - -	" " Sole
85696	557	" " (hinged), complete, Nos. 85616, 85694 and 85695 ...
85324	- - -	Tape Tension Pin (bent)
85323	- - -	" " " (straight)
85322	- - -	" " Plate
85321	557	" " complete, Nos. 85322, 85324 and eight 85323 ...
SS50d	186	" " Screw
85325	186	" " " Washer
85697	557	Throat Plate
85698	557	Binder , complete, Nos. SS50d, SS65d, 85321, 85325, 85614, 85693, 85696 and 85697

BINDER, $\frac{1}{2}$ ", for Stay Work

No.	Plate	
85699	186	Base
85597	186	Binder
85324		Tape Tension Pin (bent)
85323		" " " (straight)
85700	186	Binder and Tension only, complete, Nos. 85324, 85597, 85699 and nine 85323 ...
SS50d	186	" Screw
85325	186	" " Washer
85701	186	Feed Dog
85702	- - -	Presser Foot Bracket
85703	- - -	" " " Hinge Pin
85704	- - -	" " Sole
85705	186	" " (hinged), complete, Nos. 85702 to 85704 ...
85706	186	Throat Plate
85707	186	Binder , complete, Nos. SS50d, 85325, 85700, 85701, 85705 and 85706

BINDER, FOLDER and TENSION, $\frac{9}{16}$ ", for Stay Work

No.	Plate								
85711	187	Base	
85603	187	Binder	
85604	187	Folder	
207d	558	"	Screw	
85325	186	"	"	Washer	
85605	187	Tape Guide	
85606	187	"	"	Bracket	
207d	558	"	"	"	Screw	
85325	186	"	"	"	"	Washer	
207d	558	"	"	"	Screw	
85325	186	"	"	"	"	Washer	
85607	---	"	"	"	Tension Pin	
85712	187	Binder Folder and Tension only, complete, Nos. 85603 to 85606, 85711, three each 207d, 85325 and seven 85607							...
SS50d	186	Binder Screw	
85325	186	"	"	Washer	
85701	186	Feed Dog	
85702	---	Presser Foot Bracket	
85703	---	"	"	"	Hinge Pin	
85704	---	"	"	"	Sole	
85705	186	"	"	"	(hinged), complete, Nos. 85702 to 85704	
85706	186	Throat Plate	
85713	187	Binder , complete, Nos. SS50d, 85325, 85701, 85705, 85706 and 85712							...

BRAIDER FOOT (Long Shank, Adjustable)

No.	Plate								
86179	---	Braider Foot	
86176	---	"	"	Guide (Wire)	
SS182d	1324	"	"	"	Screw	
86180	560	Braider Foot , complete, Nos. 86179, two each SS182d and 86176							...
86178	560	Braider Foot	

CORDERS

When ordering state Size or No. of Cords to the inch.

ORDER (adjustable), for Fine Cording

No.	Plate								
85842	560	Base	
85843	560	Finger Arm	
85844	560	"	"	Adjustable Bracket	
85845	---	"	"	"	"	Block	
393c	1324	"	"	"	"	"	Screw	...	
316e	1324	"	"	"	"	"	Centre Screw	...	
1547d	1325	"	"	"	"	"	"	Nut	
NN41d	1325	"	"	"	"	"	"	Thumb Nut	
50053D	1324	"	"	"	"	"	"	Set Screw	
85846	560	Order only, complete, Nos. NN41d, 200c 393c, 85842 to 85845, two each 316e and 1547d							...
85864	560	Feed Dog	
85865	560	Presser Foot	
85866	560	Throat Plate	
85867	560	Order , complete, Nos. SS50d, 85846 and 85864 to 85866							...
SS50d	186	Order Screw (to fasten to machine)							...

ORDER (Bow), for Top Cording

No.	Plate								
85868	201	Order Bow	
85869	201	Presser Foot	
759d	1324	"	"	Thumb Screw	
85870	201	Order (Bow) , complete, Nos. 759d, 85868 and 85869							...

From the library of: Diamond Needle Corp

7/3x

CORDER for Top Cording

No.	Plate						
85783	---	Base
85871	---	Guide Finger with 85414, 85872 and two 85416
SS28b	1324	" "	Adjusting Screw
85414	---	" "	Eyelet
85413	---	" "	Hinge Pin
879d	1325	" "	Locking Thumb Screw
85872	---	" "	Tip
85416	---	" "	" Rivet
85873	200	Corder only , complete, Nos. SS28b, 879d, 85413, 85783 and 85871
85874	200	Presser Foot
85875	200	Corder , complete, Nos. SS44d, 85412, 85873 and 85874
SS44d	200	" "	Screw (to fasten to machine)
85412	200	" "	Washer

CORDER GUIDE (Adjustable)

No.	Plate						
85382	---	Extension Guide
228d	1324	" "	Screw
85876	---	Presser Foot
85877	560	Corder Guide , complete, Nos. 228d, 85382 and 85876
85881	562	Cording and Hemming Foot
86182	562	Cording Foot (grooved on right side)

CRIMPING SET

No.	Plate						
85882	557	Feed Dog
85883	---	Presser Foot
85391	---	" "	Spring
219d	1324	" "	" Screw
85884	557	" "	complete, Nos. 219d, 85391 and 85883
85885	557	Throat Plate
85886	557	Crimping Set , complete, Nos. 85882, 85884 and 85885

FELLING FEET

No.	Plate						
85896	201	Felling Foot , $\frac{3}{16}$ " Fell
85897	562	" "	(Steel), $\frac{3}{16}$ " Fell

FINGER GUARD

No.	Plate						
86417	1321	Finger Guard
102d	1324	" "	Binding Screw
86478	1321	" "	Bracket with 207f
207f	558	" "	" Screw
86479	1321	Finger Guard , complete, Nos. 102d, 86417 and 86478

GATHERING FEET

No.	Plate						
85955	562	Gathering Foot
86193	560	" "	(slotted)

HEMMERS

No.	Plate						
86005	88	Hemmer , $\frac{3}{16}$ " to $\frac{7}{8}$ " in grades of $\frac{1}{16}$ "
86008	88	" "	1" to $1\frac{1}{4}$ " in grades of $\frac{1}{8}$ "
86010	88	" "	$1\frac{3}{8}$ " and $1\frac{1}{2}$ "
85447	88	" "	Base with SS5fe
SS5fe	1324	" "	" Stud Screw
NN40d	88	" "	" " " " Thumb Nut
85448	88	" "	" " " " " " Washer
85446	---	Hemmer Base , complete, Nos. NN40d, 85447 and 85448

Flat Sole

No.	Plate						
86537	---	$\frac{1}{16}$ "
86538	---	$\frac{3}{32}$ "
86539	1931	$\frac{1}{8}$ "
86540	---	$\frac{5}{32}$ "
86541	---	$\frac{3}{16}$ "
86542	---	$\frac{7}{32}$ "
86543	---	$\frac{1}{4}$ "

ATTACHMENTS

Flat Sole, with Groove

No.	Plate										
86544	---	$\frac{1}{16}$ "	
86545	---	$\frac{3}{32}$ "	
86546	1931	$\frac{1}{8}$ "	
86547	---	$\frac{5}{32}$ "	
86548	---	$\frac{3}{16}$ "	
86549	---	$\frac{7}{32}$ "	
86550	---	$\frac{1}{4}$ "	
86025	562	Hemmer Foot , $\frac{1}{16}$ " to $\frac{3}{32}$ " hem, in grades of $\frac{1}{32}$ "							

PRESSER FOOT

No.	Plate							
86188	958	Presser Foot (narrow), for narrow tucking

QUILTER

No.	Plate								
86041	958	Clamp with 207d ...							
	207d	" Screw ...							
86042	958	Rod ...							
86043	958	Quilter , complete, Nos. 86041 and 86042 ...							

TUCKERS (Long Arm)

No.	Plate								
36387	1315	Space Guide ...							
35510	1315	" " Base with 35512, 35514 and two 1426e ...							
	402d	" " " Screw ...							
35511	1317	" " Indicator ...							
35512	1317	" " Pin ...							
35513	1317	" " Stop (left) ...							
35514	1317	" " " (") Guide Pin ...							
	1426e	" " " (") Screw Stud ...							
	1657d	" " " (") Thumb Nut ...							
	17718	" " " (") " " Washer ...							
35515	1317	" " " (right) ...							
	1426e	" " " (") Screw Stud ...							
	1657d	" " " (") Thumb Nut ...							
	17718	" " " (") " " Washer ...							
	1417	" " " Thumb Screw ...							
36388	---	Space Guide , complete, Nos. 207d 35510, 35511, 35513, 35515, 36387, two each 1657d and 17718 ...							

50053

50053

5/34

ATTACHMENTS

No.	Plate								
35517	1309	Tuck Guide Arm ...							
	1177d	" " " Screw ...							
35518	1309	" " " Base ...							
50134e	1317	" " " Screw Stud ...							
36389	1309	" " Bracket ...							
	307c	" " " Screw Centre ...							
	1513j	" " " " " Nut ...							
36390	1317	" " " Spring ...							
36391	1315	" " " " Plate ...							
	9d	" " " " Screw ...							
	423c	" " " Stop Screw ...							
	1520r	" " " " " Nut ...							
36392	1309	" " Frame ...							
	6393	" " " Spring ...							
	1510e	Tuck Guide Frame Spring Nut ...							
35524	1317	" " " " Washer ...							
	803c	" " " Stop Screw ...							
	1520r	" " " " " Nut ...							
35511	1317	" " Indicator ...							
35525	1309	" " Plate ...							
	1115f	" " Screw ...							
36394	---	Tuck Guide , complete, Nos. 9d, 423c, 803c, 1510e, 35511, 35517, 35518, 35524, 35525, 36389 to 36393, 50134e, two each 307c, 1115f, 1177d, 1513j, 1520r and three Wood Screws 1 $\frac{1}{4}$ " No. 10							
36395	-	Tucker (long arm), complete, Nos. 35528, 36388, 36394 and two 402d ...							
52031	967	Feed Dog for shirt work ...							
35528	1321	Presser Foot (wide) for 36395 ...							
40322	1321	" " (narrow) for 36395 ...							
36654	1321	" " for tucking shirt bosoms, for 36670 ...							
52032		Throat Plate , large needle hole, for 52031 ...							
52033	967	" " small " " " 52031 ...							
36670	---	Tucker (long arm), complete, for tango tucking, Nos. 36388, 36394, 36654 and two 402d ...							

From the library of Diamond Needle Corp

BOBBIN WINDERS

BOBBIN WINDER

(Swinging Automatic, Left Hand) for 40264

No.	Plate	
41913	1314	Bracket with 457c
41583	1314	Frame with 457c
34105	1314	" Hinge Pin
457c	1324	" " " Set Screw
41914	1314	" Spring
41585	1314	Pulley with 171d
171d	1324	" Set Screw
41586	1314	Spindle
41587	1314	Stop Latch
42614	1314	" " Hinge Stud
457c	1324	" " " " Set Screw
7958	1318	" " Stop Pin
41588	1314	" " Tripping Arm with 185h
185h	1324	" " " " Clamping Screw
60845	1314	Bobbin Winder , Nos. 7958, 34105, 41583, 41585 to 41588, 41913, 41914 and 42614
41915	—	Bobbin Winder , complete, Nos. 880e, 25446 and 60845
880e	1325	Bobbin Winder Screw
25446	1323	" " " Washer

BOBBIN WINDER

(Swinging Automatic, Right Hand) for use with Series 800, 900, 1700, 1900 and 2100 Motors.

No.	Plate	
41339	1687	Base
41340	1687	Frame
1429d	1688	" Hinge Screw
41341	1687	" Spring
207d	558	" " Screw
41342	1687	Pulley with 200f
200f	1688	" Set Screw
41343	1688	Spindle
27306	1688	Spool Pin
27307	1687	" Stand
†27308	1687	Spool Stand , complete, Nos. 418c, 1562j, 2106, 10141, 11241, 27306, 27307, two each 2455 and Wood Screws 1" No. 10
11241	1687	Spool Washer (Cloth)
41344	1688	Stop Latch
41345	1688	" " Finger
152f	1688	" " " Screw
1430d	1688	" " Hinge Screw
1550h	1688	" " " " Nut
41346	1688	" " Lever
1430d	1688	" " " Hinge Screw
2455	1688	Tension Disc
1562j	1688	" Regulating Thumb Nut
418c	1688	" Screw Stud
10141	1688	" Spring
2106	1688	" Thread Guide
9331	1688	Washer
60456	—	Bobbin Winder , Nos. 152f, 207d, 1429d, 1550h, 41339 to 41346 and three 1430d
41347	1687	Bobbin Winder , Nos. 60456, two each 9331 and Wood Screws 1" No. 10 R.H.B.
41348	—	Bobbin Winder (swinging automatic, right hand), complete, Nos. 27308 and 41347

† As No. 27307 can be supplied either Plated or Japanned, it is necessary, when ordering, to state what is required.

KNEE LIFTER

No.	Plate						
5596	1311	Bell Crank
5599	1311	" "	Bracket
178e	1324	" "	" Screw
5601	980	" "	Hinge Pin
5735	980	" "	Spring
56848	---	" "	5596 with 5599 and 5601
5598	1311	Bell Crank , complete, Nos. 5735 and 56848
16510	959	Lifting Lever with 448c
52028	1311	" "	Connecting Rod
12416	980	" "	" " Joint
76d	1324	" "	" " " Hinge Screw
1521e	1325	" "	" " " Lock Nut
802d	1325	" "	Hinge Screw
12241	980	" "	Link
766d	1324	" "	" Hinge Screw
12240	980	" "	Pin
448c	1324	" "	" Set Screw
2763	959	Rock Shaft
97502	959	" "	Bracket
---	---	" "	" Screw (Wood) 1" No. 10
2765	959	" "	Knee Arm
2766	959	" "	" " Hub with 356c
356c	1324	" "	" " " Set Screw
2768	---	" "	" " 2765 with 2766 and 2767
2767	959	" "	Plate with 356c
356c	1324	" "	" " Set Screw
6337	959	" "	Lifting Bracket with two 356c
2778	959	" "	" " Hook
356c	1324	" "	" " " Set Screw
356c	1324	" "	" " " Set Screw
2770	959	" "	Stop Dog with 356c
356c	1324	" "	" " " Set Screw
84789	959	Rock Shaft , 2763, with 2768, 2770, 2778, 6337, two 97502 and four Wood Screws 1" No. 10
84769	---	Knee Lifter , complete, Nos. 76d, 766d, 802d, 1521e, 5598, 12240, 12241, 12416, 16510, 52028, 84789 and two 178c

THREAD UNWINDER

FOR TWO SPOOLS OF THREAD

No.	Plate						
225325	1621	Spool Rest with 201018c
225388	1621	" "	Rod
200383c	1325	" "	" Set Screw
201018c	-	" "	" Set Screw
202490	1621	" "	Stand with 200383c
225391	1621	Thread Guide
201696j	---	" "	Lock Nut
225326	---	" "	Position Cup
225324	1621	" "	Rod with 208c and 225322
208c	-	" "	" Screw
225322	-	" "	" Washer
225396	1621	Thread Unwinder , complete, Nos. 201696j, 202490, 225324 to 225326, 225388, two 225391 and three Wood Screws $\frac{1}{4}$ " No. 12